

HFL

1550nm High Power Pulsed Fiber Laser

HFL

Application

- ▶ Distance measurement
- ▶ Lidar
- ▶ 3D Scanning
- ▶ Test & Measurement

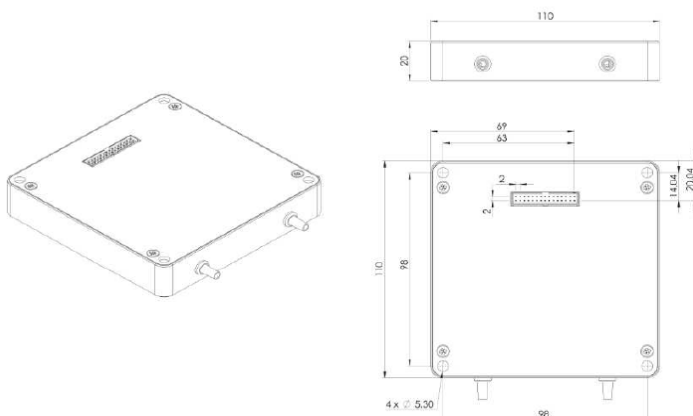
Features

- ▶ High Output Power, up to 4W
- ▶ Compact Package (110 x 110 x 20 mm)



Parameter		HFL
Wavelength	[nm]	1540 ... 1560
Output Power	[W]	Up to 4
Pulse Width	[ns]	0.4 to 50
Pulse Energy	[μJ]	Up to 300
Repetition rate	[kHz]	10 ... 10000
Output Power Tunability	[%]	10 ..100
Pulse Timing		External trigger, TTL / LVDS
Polarization		Random/Linear
Output Power Stability	[%]	3
Optical Connector		FC/APC, Collimator, others
Power Supply Voltage	[V]	5 / 12
Operating Temperature	[°C]	-5 .. 65
Communication Interface		RS-232

Mechanical Dimensions



Ordering Information

Custom variants are available upon request, please contact our customer service to discuss your specification requirements.

Evaluation board available on request



Specifications are subject to change without notice