



芯明天
COREMORROW

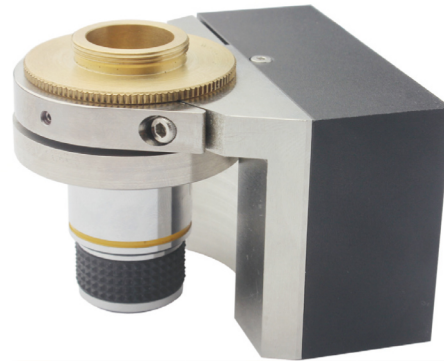


Piezo Objective Scanner

P73.Z100

Features

- Max travel range 550μm
- Max load capacity 0.4kg
- Open/closed loop
- Quick response



Thread adapter for easy installation

P73 piezo objective scanner are connected with lens by an adapter that quickly locks the objective in the desired position. A variety of thread optional, such as M27 × 0.75, M26 × 0.75, M26 × 1/36", M25 × 0.75, W0.8 × 1/36", etc., they can also be customized for easy integration with the microscope installation.

Large stroke, fast response high resolution

P73 piezo objective scanner is large-stroke, high-speed, piezo actuator driven focus microscopy scanner with a small footprint but achievable displacement of up to 550μm.

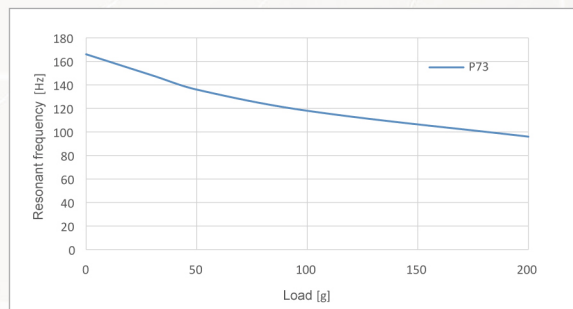
P73 uses a flexible hinge guide mechanism, no mechanical friction, no mechanical gap, nano-resolution, with ultra-high positioning accuracy and ultra-fast response speed.

P73 piezo objective scanner can match Zeiss, Nikon, Olympus, Leica and other standard lenses. It can also be combined with a manual adjustment stage via an adapter.

Application: Surface analysis



Frequency vs Loading



Recommend Controllers

E00/E01	E53	XE-650
1 channel Computer software, Analog input, Rotary knob Open/closed loop Ave. power: 35W/7W	1 channel Computer software, Analog input Open/closed loop Ave. power: 10W	1 channel Analog input, Rotary knob, I/O Open/closed loop Ave. power: 10W

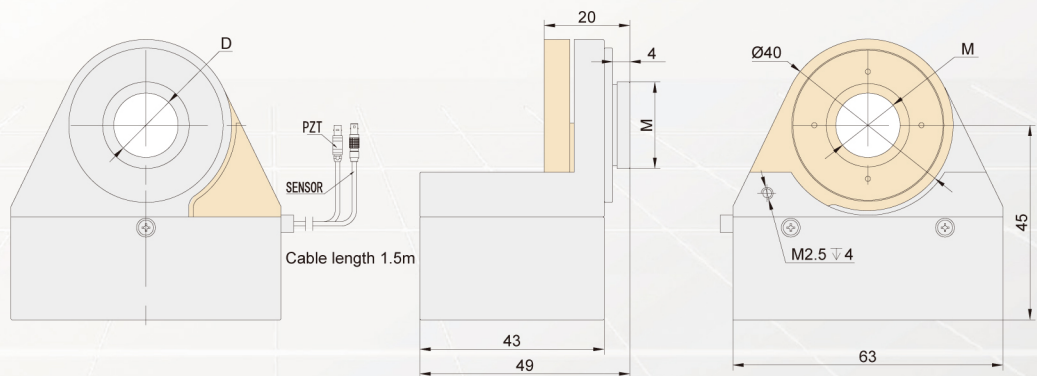
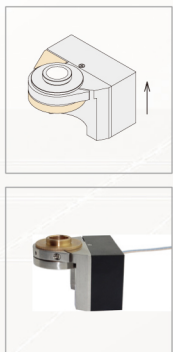
Technical data

Models	End with S: Closed-loop End with K: Open-loop	P73.Z500S P73.Z500K	Units
Active axes		Z	
Nominal travel range(0~120V)		400	$\mu\text{m}\pm 20\%$
Max travel range(-20~150V)		550	$\mu\text{m}\pm 20\%$
Integrated sensor		SGS/-	
Closed/open loop resolution		18/7	nm
Closed-loop linearity		0.1/-	%F.S.
Repeatability		0.05/-	%F.S.
Push/pull force capacity		80/10	N
Stiffness in motion direction		0.2	$\text{N}/\mu\text{m}\pm 20\%$
Unloaded resonant frequency		170	$\text{Hz}\pm 20\%$
Closed/open-loop unloaded Step time		20/10	$\text{ms}\pm 20\%$
Closed-loop Unloaded operating frequency	10% Travel	40	$\text{Hz}\pm 20\%$
	100% Travel	10	
Load capacity		0.4	kg
Electrical capacitance		14	$\mu\text{F}\pm 20\%$
Material		Aluminum, Steel	
Mass		450	$\text{g}\pm 5\%$

The technical data are measured by Coremorow E00 series piezo controller.

Drawings

P73.Z500



M(Models)	D
M26×0.75	Ø21
M26×1/36"	Ø21
M27×0.75	Ø22
M25×0.75	Ø20
W0.8×1/36"	Ø15