



芯明天
COREMORROW



Fast Tool Positioning Stage

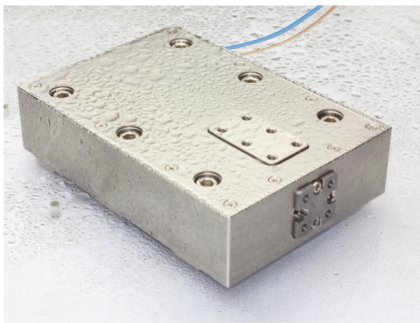
P92.X/P93.X

Features

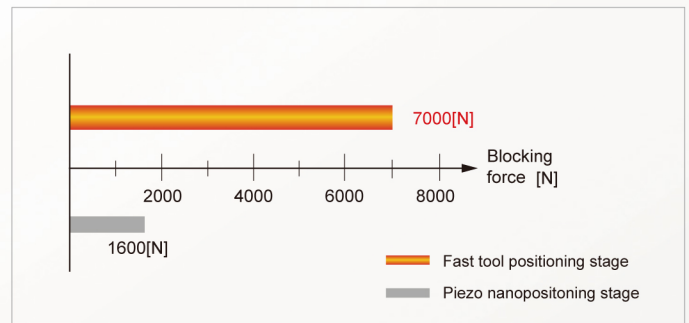
- Ultrahigh accuracy
- Large load capacity
- Fast response
- High stiffness



Dust and Droplet Proof On Request



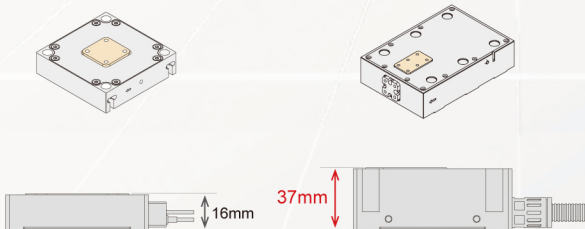
Large blocking force piezo actuators



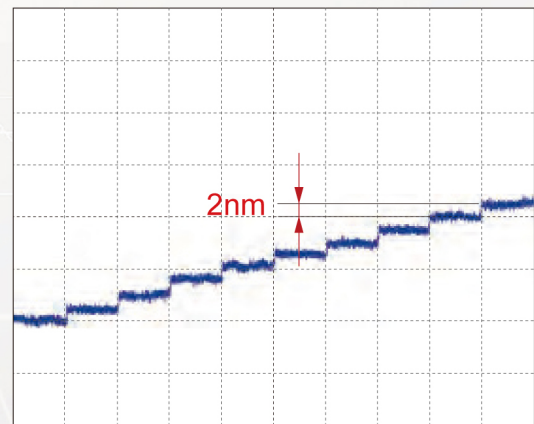
High stiffness

Fast tool positioning stage is made of stainless steel to ensure the stability of the process, the structure is stable and reliable, the processing accuracy will not be affected by the vibration.

Piezo nanopositioning stage Fast tool positioning stage



Closed loop resolution



Resolution

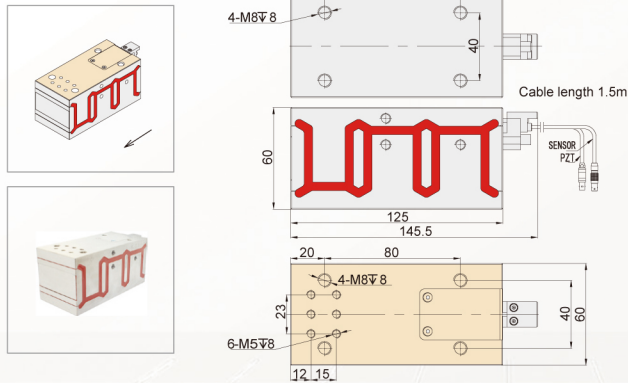
Technical data

Models	End with S/C/L: Closed-loop End with K: Open-loop	P92.X30S P92.X30K	P92.X70C P92.X70L P92.X70K	P93.X70C P93.X70L P93.X70K	P93.X100C P93.X100L P93.X100K	Units
Nominal travel range(0~120V)		24	60	65	95	$\mu\text{m}\pm 20\%$
Max travel range(-20~150V)		34	85	90	120	$\mu\text{m}\pm 20\%$
Integrated sensor		SGS/-	CAP/LVDT/-	CAP/LVDT/-	CAP/LVDT/-	
Closed/open loop resolution		2/0.7	5/10/2.5	7/10/3	15/20/10	nm
Closed-loop linearity		0.1/-	0.1/0.2/-	0.05/0.1/-	0.1/0.15/-	%F.S.
Repeatability		0.05/-	0.01/0.1/-	0.03/0.05/-	0.03/0.05/-	%F.S.
Pitch/Yaw/Roll		<10	<15	<15	<20	μrad
Push/pull force capacity		300/100	550/240	400/50	300/25	N
Stiffness in motion direction		10	8	5	3	$\text{N}/\mu\text{m}\pm 20\%$
Unloaded resonant frequency		1.8	0.8	0.15	0.2	$\text{kHz}\pm 20\%$
Closed/open-loop unloaded Step time		5/3	10/5	10/7	30/7	$\text{ms}\pm 20\%$
Closed-loop Unloaded operating frequency	10% Travel	1000	550	50	50	$\text{Hz}\pm 20\%$
	100% Travel	40	20	10	10	
Load capacity		0.3	5	20	20	kg
Electrical capacitance		7.2	18	15	15	$\mu\text{F}\pm 20\%$
Material		Aluminum, Steel	Steel	Steel	Steel	
Mass		1450	3500	4000	3500	$\text{g}\pm 5\%$

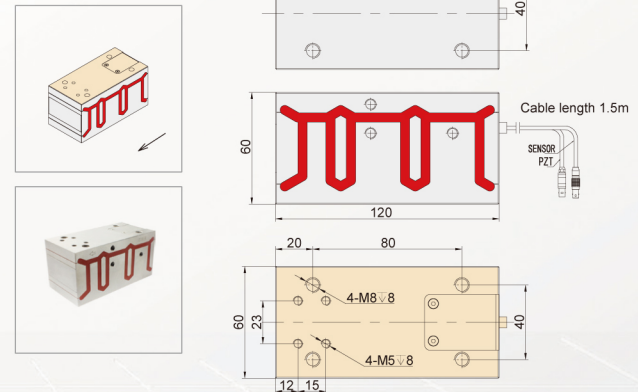
The technical data are measured by Coremorrow E00 series piezo controller.

Drawings

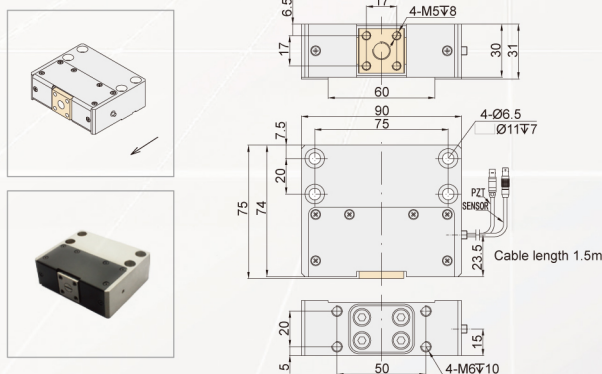
P93.X70



P93.X100



P92.X30



P92.X70

