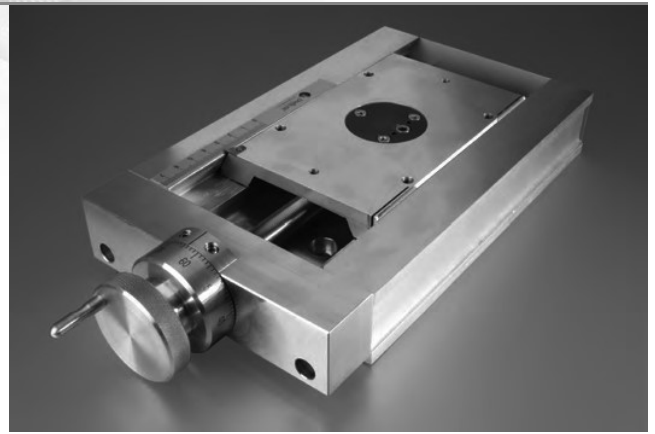


A6000 series

The A6000 series is ideally suited to a wide variety of industrial, optical and laboratory applications. Offering two standard styles, **Standard** (V&K) and **Precision** (Q.5&Q1).

Options include longer sliders to increase stability for large or cantilevered loads. For a full range of options and customisation, including locking devices please refer to **Options**, page 23.

Motorised units are shown page 18.



Drawings can be downloaded from our website:
www.lg-motion.co.uk/downloads

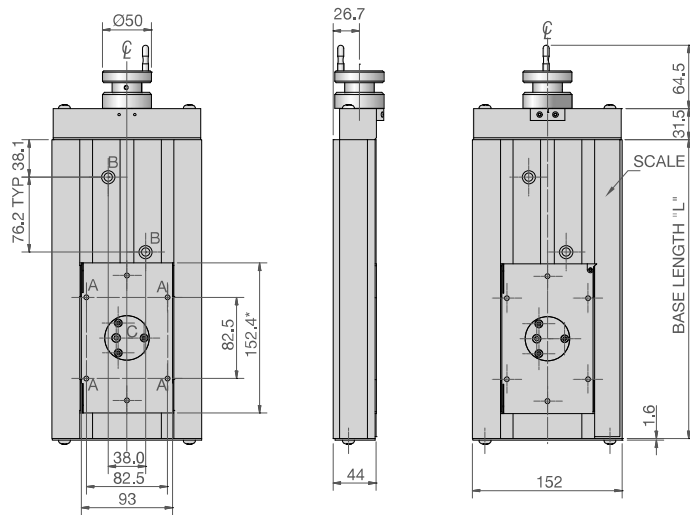
Notes:

- A. 4 x mounting holes M6 x 12mm.
- B. Holes in base to fit M8 Cap screws.
- C. Leadscrew nut 45mm dia. recessed with slider top surface. Not suitable as a mounting surface.
- *D. Optional sliders
 Slider 228.6, Hole centres see drawing
 Slider 304.8, Hole centres see drawing

Resolution
 Q.1 - 0.01mm
 Q2 - 0.02mm

Standard

Precision



ALL DIMENSIONS ARE TYPICAL
 UNLESS OTHERWISE STATED

Model	Base Length 'L'	Stroke mm	Weight kg (typical)	Load Capacity	Leadscrew Ø14mm
A6009	228.6mm (9")	76	4.3	Horizontal, L _n = 110kg Cantilevered side, L _{cs} = 37kg/cm Cantilevered inline, L _{ci} = 45kg/cm	Standard Grade K = 1.0mm pitch K2 = 2.0mm pitch Precision Grade <0.02mm/100mm Q1 = 1.0mm pitch Q2 = 2.0mm pitch
A6012	304.8mm (12")	152	5.1		
A6018	457.2mm (18")	305	6.8		
A6024	609.6mm (24")	457	8.6		
A6030	762mm (30")	610	10.6		

A6000
manual