

860-0090

MINI RAIL SYSTEM BALL SLIDE POSITIONERS



860-0090-02

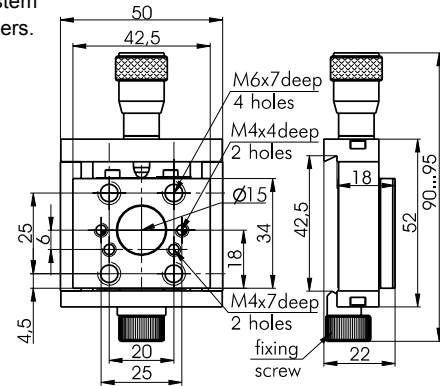
The Mini Rail System Ball Slide Positioner 860-0090-02 has a travel range 5 mm. Using the micrometer driving screw mounted into M10×1 taped hole, the resolution 10 μm is achieved. Positioners have adapters for mounting onto Mini Optical Rail System rails and can be locked in a position using a fixing screw. With a help of Rail Carriers the Mini Rail System Ball Slide Positioner 860-0090-02 can be coarsely positioned in a range of 30 mm. With two 860-0090-02 and one 860-0090-01 you may stack the X-Y-Z applications directly. 810-0010 for building optical bench or precise optical rail system suitable for these precise positioners.



Code	Weight, kg	Price, EUR
860-0090-02	0.18	191
860-0090-04	0.23	206

SPECIFICATIONS

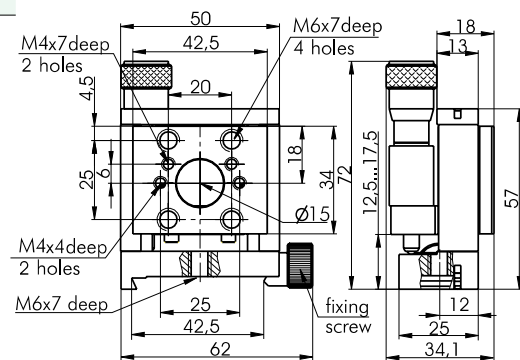
Travel range	5 mm
Rough XY travel range	±20 mm
Sensitivity	1 μm
Tracking accuracy	2 μm
Reading accuracy	5 μm (1/2 div.)
Load capacity:	
horizontal	3 kg
vertical	1 kg



860-0090-02

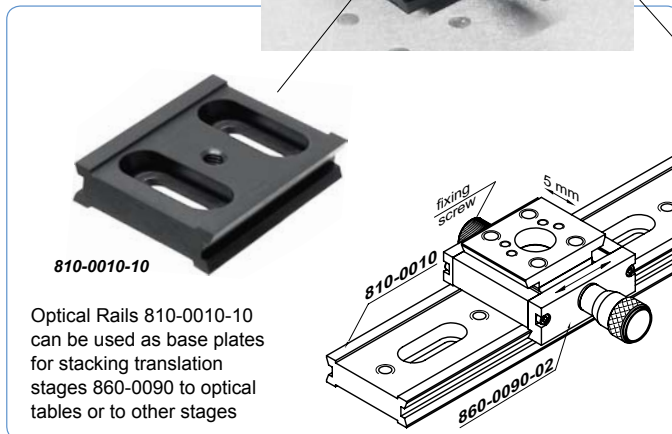
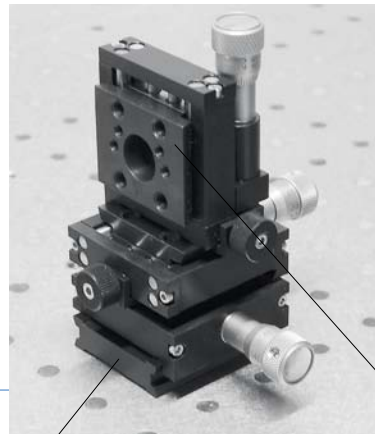
Complementary Products

Code	Page
810-0010	8.16



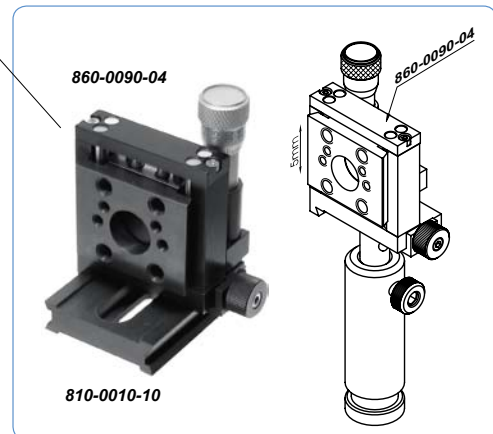
860-0090-04

You may stack the stages for X-Y-Z applications directly, without screws. Default base plate choice for 860-0090 XYZ is 810-0010-10 optical rail.



810-0010-10

Optical Rails 810-0010-10 can be used as base plates for stacking translation stages 860-0090 to optical tables or to other stages



860-0090-04

810-0010-10

OPTICAL TABLES

BRACKETS & RAILS

BASE MOUNTS & ACCESSORIES

OPTICAL MOUNTS

OPTICAL POSITIONERS

BASE POSITIONERS

TRANSLATION & ROTATION STAGES

ADJUSTMENT SCREWS

MOTORIZED POSITIONERS