

Translation Stages

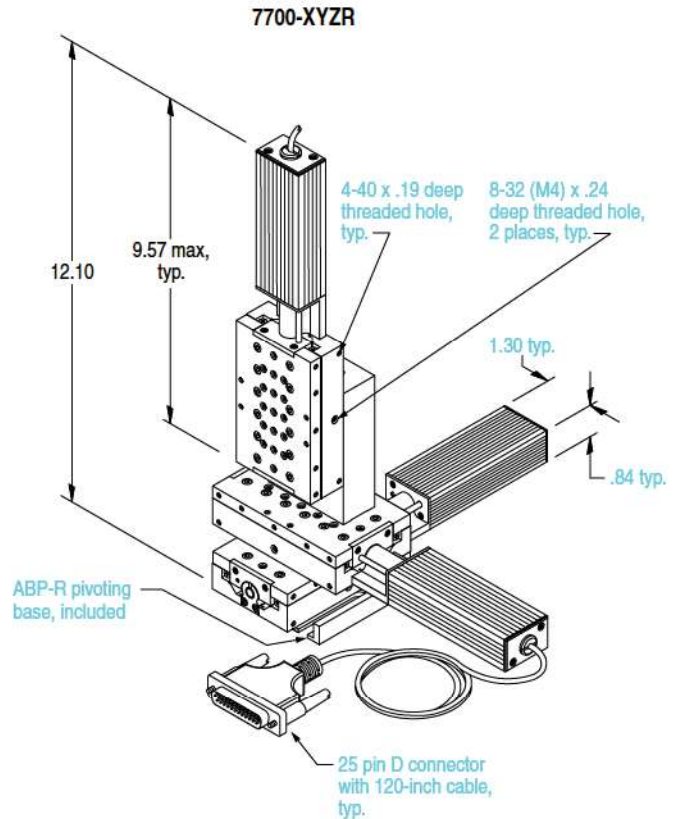
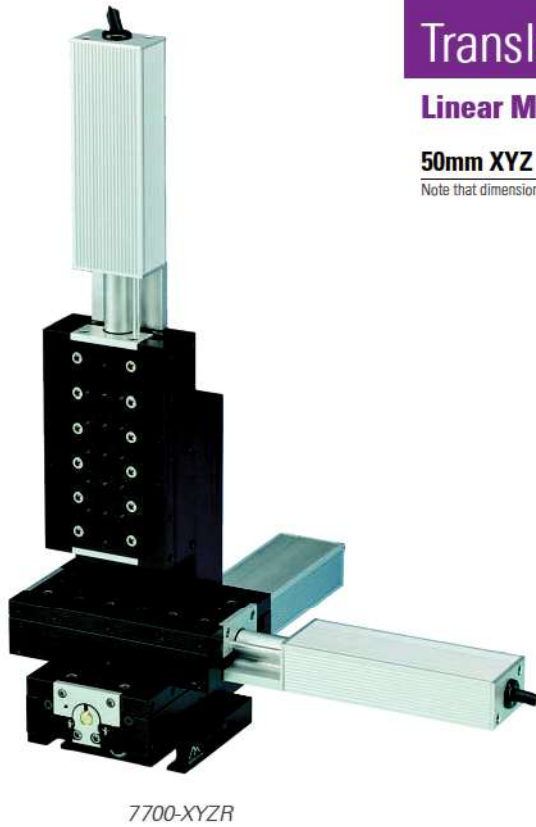
Linear Motorized

Crossed Roller Stages

CE Certified

50mm XYZ Travel / 7700 Series

Note that dimensions in parentheses (mm) reflect metric assembly features



Common Dimensions shown in cyan-blue

Product Features

- 1.7 mm/second rapid positioning
- Quiet running DC servo motors
- Rotatable mounting base
- Vacuum compatible versions available upon request

Performance Specifications

| | |
|------------------------------|-----------------|
| Maximum horizontal axis load | 10 lbs |
| Maximum vertical axis load | 4 lbs |
| Travel | 50 mm |
| Backlash | 5 μ m |
| Point to point accuracy | \pm 2 μ m |

Related Products

| | |
|-----------------------------------|--------------|
| model <i>e</i> motion controllers | beginning 22 |
| MC2010 computer interface | 27 |
| DR1000 digital readout | 31 |
| manual version | 54 |
| MX-RS rotation base | 122 |

Order Information

| | |
|---|-----------|
| crossed roller single-axis stage, closed loop | 7700-X |
| crossed roller 2-axis stage, closed loop | 7700-XY |
| crossed roller vertical stage, closed loop | 7700-Z |
| crossed roller 3-axis stage, closed loop, rh | 7700-XYZR |
| crossed roller 3-axis stage, closed loop, lh | 7700-XYZL |

Metric Option — for metric assembly features on this product, add 'M' after model number.

Motorized XYZ Stages

The 7700 motorized crossed roller bearing translation stage offers exceptionally smooth linear travel. 7700 stages are an integrated version of our 1700 series crossed roller translation stage. They use a precision preloaded lead screw to ensure drift-free operation. High-speed versions available upon request.

Our *e* series and MC2010 controllers drive the stage through a closed loop interface between the controller and the motor encoder. The closed loop connection ensures 0.2 μ m and 0.1 μ m resolution, respectively. The encoder coupling also enables the use of the DR1000 digital readout for repeated or relative positioning requirements.

7700 series stages come standard with our ABP-R mounting plate. The design of this mounting plate enables coarse positioning between platform mounting holes as well as 360° of coarse rotational positioning. If rotation with a solid submicron level stop is required, the MX-RS rotation stage is designed to mount directly into the ABP-R and has mounting holes for all 1700 series stages.