

960-0180

MOTORIZED GONIOMETERS



960-0189-50

- Rotates an object without obscuring the optical path
- Superb stability
- 1 or 2 axes of rotation (stackable)
- Smooth operation with ball bearings
- Compact square body

Goniometers rotate an object about an axis in space located outside the body of the unit (usually – above the platform), so the axis is not obscured by the unit itself.

Goniometers have small travel range and greater stability, compared to rotation stages.

Goniometers have to have different heights of points of rotation, so that, when you stack goniometers one on the top of the other, they rotate an object about a common point in space.

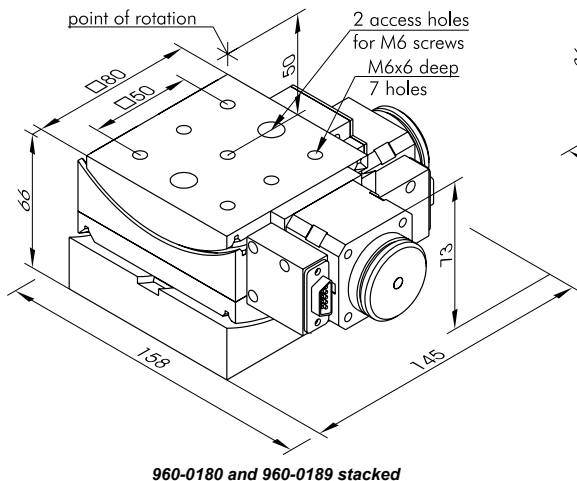
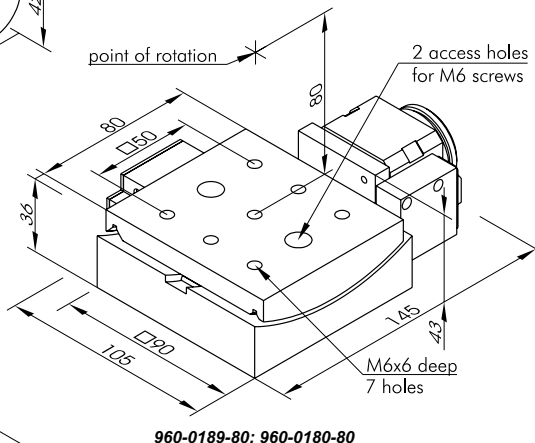
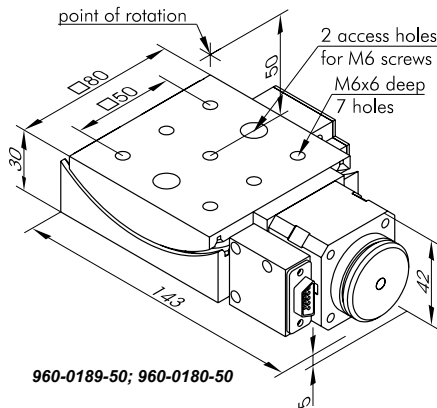
The mechanism rolls smoothly on ball bearings.

The position is read within one revolution on the scale engraved on the dial knob sitting on the axle of the motor. Position can be read to each step. Overall position accounting is up-to your computer.

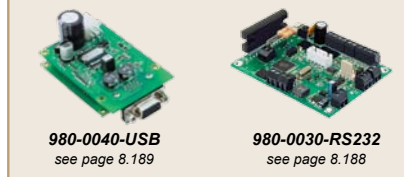
Goniometers have two limit switches to signal an "out of limits" error situation. The switches may also be used to roughly establish a zero reference. The stage is driven by a stepping motor. A dial knob on its axle allows manual drive.

SPECIFICATIONS

	960-0189	960-0180
Travel range	±2.5°	0.5°
Resolution		
960-0189-50, -0180-50	16.12"	20.6"
960-0189-80, -0180-80	10.96"	16.5"
Height of center of rotation		
960-0189-50, -0180-50	50 mm	
960-0189-80, -0180-80	80 mm	
Load capacity	2 kg	
Lifetime	-	20 million full steps
Weight	1.2 kg	
Motor connector	DB9(M)	
Motor	4233	
Optocoupler end limit switches	2	
Switch polarity	pushed is open	
Price	850 EUR	850 EUR



RECOMMENDED CONTROLLERS



OPTICAL TABLES

BRACKETS & RAILS

BASE MOUNTS & ACCESSORIES

OPTICAL MOUNTS

OPTICAL POSITIONERS

BASE POSITIONERS

TRANSLATION & ROTATION STAGES

ADJUSTMENT SCREWS

MOTORIZED POSITIONERS