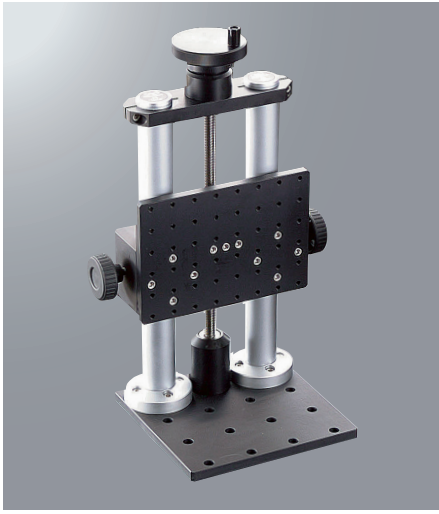


Z-axis Mount: B34 (140×200)

Z axis mount

B34



B34-N



RoHS

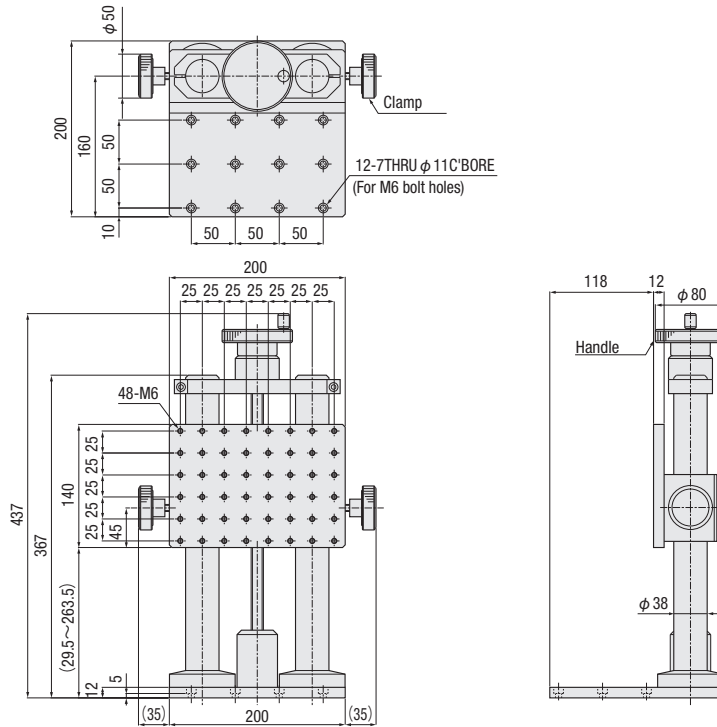
SURUGA SEIKI

CAD 3D·2D

- Optimal control system for heavy weight.
- 3mm per handle rotation.
- B34 has anti-vibration mechanism with special rod.

Dimensional outline drawings

B34



SPEC		
Model	B34	B34-N
Stage table size	140×200mm	
Travel distance	234mm	
Travel distance per rotation of knob	3mm	
Guide	Shaft	
Load capacity	15.0kgf [147N]	
Weight	10.3kg	11.3kg
Anti-vibration function	With anti-vibration function	Without anti-vibration function
Main material—Surface finishing	Aluminum—Black alumite processing	
Provided screws (Hex socket screws)	6 of M6—12	

X

XY

Z

Horizontal Z

XZ

Horizontal XZ

XYZ

Horizontal XYZ

Goniometer

Rotary

Unit

Accessories

Linear Ball

Cross Roller

Dovetail

25

30

40

50

60

70

80

100

120

Other