

H105-ProScan® Upright Stage

Motorized Scanning Stage for large upright research microscopes

Fitting most upright microscopes, the H105 is part of the wide range of precisely engineered ProScan stages. With a large travel range, it can accommodate large samples including semi-conductor wafers, photo masks, and printed circuit boards, making it ideal for material science applications. Interchangeable sample holders allow the slide to be used for a wide variety of applications. With high resolution and excellent repeatability the H105 is ideal for high end, material science applications.



- Travel range 154 x 154 mm
- Versatile; able to accommodate a large variety of Prior's sample holders.
- <math><1\ \mu\text{m}</math> resolution possible.
- $\pm 0.7\ \mu\text{m}$ repeatability , with the ability to store points for later inspection and analysis.
- Incorporates IST and stage mapping systems.
- Anti-backlash mechanism with adjustable limit switches.
- Accepts linear encoders, further improving accuracy.
- Controlled via the ProScan III Control System.

Products available

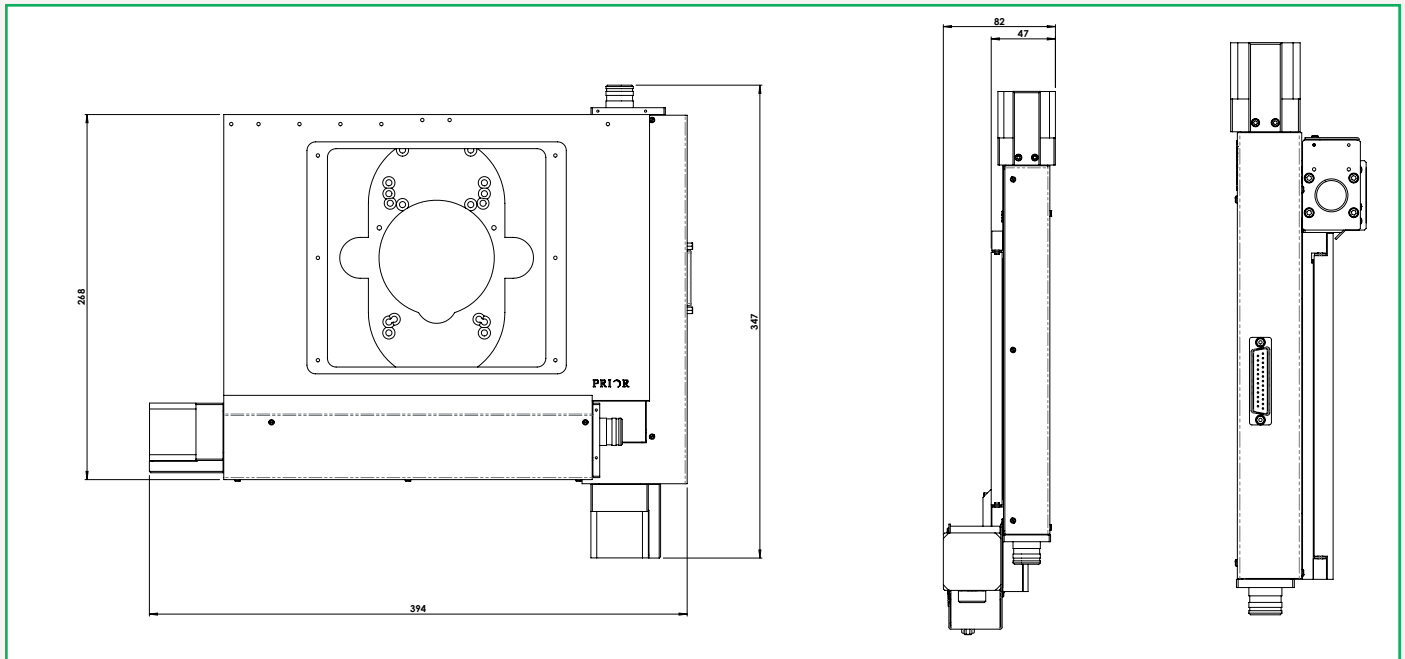
Part number*	Ball Screw Size	Motor Type	Encoded
H105/2##	2mm	Standard	No
HE05/2##	2mm	Standard	0.1 μm Linear Encoder

*Part numbers are up to 8 characters long; microscope specific digits have been removed and replaced with #. Consult the Prior Configurator or contact your local representative for further details on part numbers for specific microscopes.

H105 ProScan Upright Stage

Motorized Scanning Stage for large upright research microscopes

Dimensions



Specifications*

Specification	H105/2	HE05/2
Uni-directional repeatability**	0.7µm	0.7µm
Metric accuracy per mm***	0.15µm	0.15µm
Squareness	70 (arc second)	70 (arc second)
Travel Range	154 x 154 mm	154 x 154 mm
Minimum Step size	0.04µm	0.04 µm
Recommended Speed†	24 mms ⁻¹	24 mms ⁻¹
Ball Screw	2 mm	2mm
Motor Type (SPR‡)	200	200
Encoders	No	0.1µm Linear Encoder

* Specifications are based on the Prior method of testing and require the use of a ProScan II or above controller

** Using a ProScan controller with backlash correction enabled

*** Measured over the full travel of the stage with IST enabled

† Can be increased by a factor of 2

‡ Steps per Revolution of Motor

Worldwide distribution

Prior Scientific Ltd
Cambridge, UK
T. +44 (0) 1223 881 711
E. uksales@prior.com

Prior Scientific Inc
Rockland, MA USA
T. +1 781-878-8442
E. info@prior.com

Prior Scientific GmbH
Jena, Germany
T. +49 (0) 3641 675 650
E. jena@prior.com

Prior Scientific KK
Tokyo, Japan
T. +81-3-5652-8831
E. info-japan@prior.com