

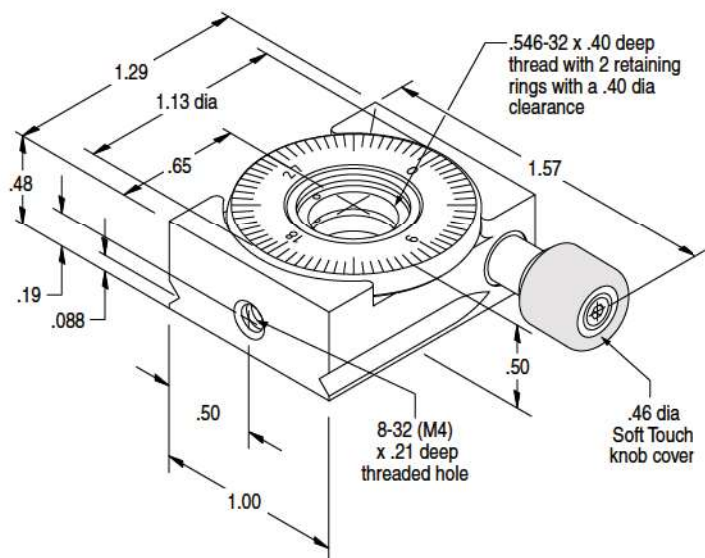
Translation Stages

Rotary Manual

Ball Bearing

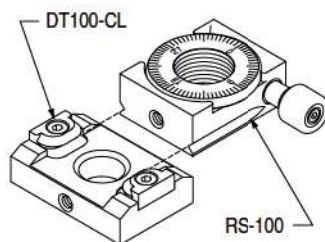
0.5-inch / RS-100

Note that dimensions in parentheses (mm) reflect metric assembly features



RS-100

Application



Manual Rotary Stage

The RS100's compact design and right angle drive are ideal for close coupled optic stacking.

0.5-inch polarizers, wave plates, and other small optics can be coarsely positioned using the external knurled dial through a full 360°. Final tuning is accomplished with the worm driven adjustment knob that is located conveniently on the side.

The RS100 rotation stage uses our unique integrated bearing design. This ball bearing design is a robust alternative to more expensive bearing packages. Our worm drive system, coupled with the bearing system, ensures smooth positioning throughout the 360° of rotation. The face of the dial is marked in 5° increments for easy referencing.

There are machined V-grooves on the sides of the RS-100 for mounting the DT100-CL. This mounting option enables either horizontal table mounting or vertical mounting with the option to remove the stage from the beam path to vary the experiment.

Product Features

- Coarse manual adjustment
- Fine adjustment through 360°
- Post or table mounting
- Vacuum compatible versions available upon request

Performance Specifications

Maximum load	
when axis of rotation is vertical	1 lb
when axis of rotation is horizontal	0.5 lb
Travel	360° continuous
Minimum controllable motion	30 arc min.

Related Products

motorized version	75
DT-100 series dovetail stage	40
DT100-CL dovetail clamp	40

Order Information

rotary stage, 0.5 inch, manual RS-100

Metric Option — for metric assembly features on this product, add '-M' after model number.