

Z Axis Steel Extended Contact Translation Stages (Vertical Mounting) | TSD-LONG-SZ

RoHS

Z axis stages designed for mounting on a vertical surface for the load to bear on the micrometer head vs. pulling against the spring.

The rectangular shape minimizes the footprint while providing longer travel.

- Hardened steel linear translation stages with integrated bearing ways and a black chrome finish. Our “Extended Contact” technology yields superior stability, stiffness, accuracy, and durability.



Application Systems

Optics & Optical Coatings

Opto-Mechanics

Bases

Manual Stages

Actuators & Adjusters

Motorized Stages

Light Sources & Laser Safety

Index

Guide

X Axis Stages

XY Axis Stages

Z Axis Stages

XZ Axis Stages

XYZ Axis Stages

Rotation Stages

Goniometer

Tilt Stages

Vacuum

Ball Bearing Guide

Crossed Roller

Dovetail

Lapping

V Groove Screw

Others

15 × 15 mm

25 × 25 mm

40 × 40 mm

60 × 60 mm

65 × 65 mm

80 × 80 mm

100 × 100 mm

120 × 120 mm

Others

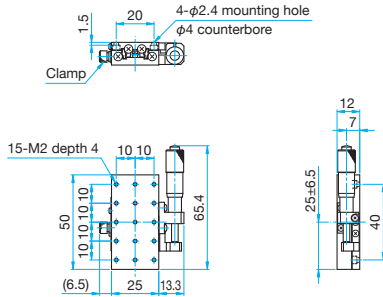
Specifications					
Part Number	METRIC	TSD-25501SZ	TSD-40801SZ	TSD-60121SZ	TSD-65121SZ-M6
	INCH	—	TSD-40801SZUU	—	TSD-65121SZUU
Stage Size [mm]		25×50	40×80	60×120	65×120
Axes of Travel		Z axis			
Travel [mm]		±6.5	±12.5	±20	±20
Lead of Actuator [mm/rotation]		0.5	0.5	0.5	0.5
Micrometer Readable Resolution [mm]		0.01	0.01	0.01	0.01
Guide Method		Extended contact ball bearing guide			
Primary Material		Steel			
Finish		Super black chrome			
Load Capacity [N]		9.8 (1.0kgf)	19.6 (2.0kgf)	29.4 (3.0kgf)	29.4 (3.0kgf)
Travel Accuracy	Straightness [μm]	2	2	2	3
	Pitch [N·m]	2.0	2.6	3	3
Max. Moment Capacity	Roll [N·m]	1.4	2.6	3	3
	Pitch ["/N·cm]	1.12	0.15	0.1	0.1
Running Parallelism [μm]		10	10	10	10
Weight [kg]		0.1	0.4	1.0	1.2



Outline Drawing

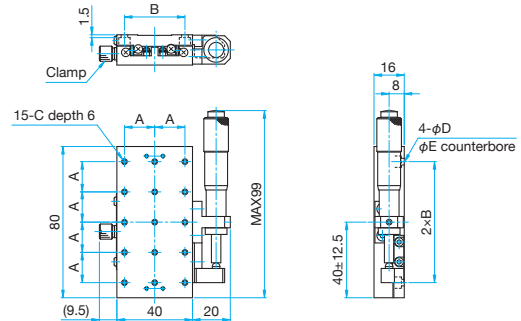
TSD-25501SZ

Hexagonal socket head cap screw M2x4...4 screws



TSD-40801SZ/40801SZUU

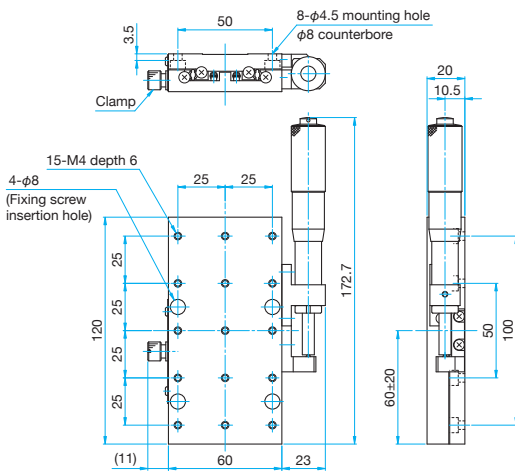
Hexagonal socket head cap screw M3x6...4 screws
Hexagonal socket head cap screw 6-32UNCx3/16...4 screws (UU)



Part Number	A (mm)	B (mm)	C	D (mm)	E (mm)
TSD-40801SZ	16	32	M3	3.5	6
TSD-40801SZUU	15.875	31.75	6-32UNC	4	6.5

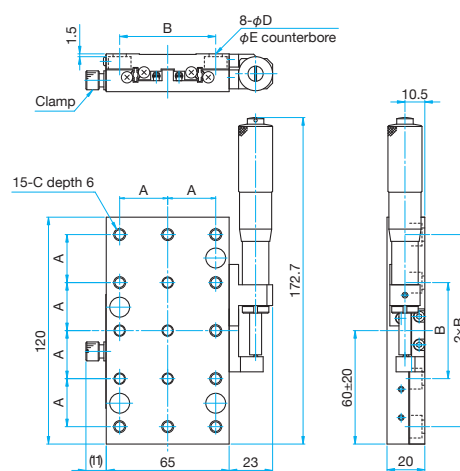
TSD-60121SZ

Hexagonal socket head cap screw M4x8...4 screws



TSD-65121SZ-M6/65121SZUU

Hexagonal socket head cap screw M6x6...4 screws (M6)
Hexagonal socket head cap screw 1/4-20UNCx1/4...4 screws (UU)



Part Number	A (mm)	B (mm)	C	D (mm)	E (mm)
TSD-65121SZ-M6	25	50	M6 P1	6.5	11
TSD-65121SZUU	25.4	50.8	1/4-20UNC	7	12

Application Systems

Optics & Optical Coatings

Opto-Mechanics

Bases

Manual Stages

Actuators & Adjusters

MotORIZED Stages

Light Sources & Laser Safety

Index

Guide

X Axis Stages

XY Axis Stages

Z Axis Stages

XZ Axis Stages

XYZ Axis Stages

Rotation Stages

Goniometer

Tilt Stages

Vacuum

Ball Bearing Guide

Crossed Roller

Dovetail

Lapping

V Groove Screw

Others

15 × 15 mm

25 × 25 mm

40 × 40 mm

60 × 60 mm

65 × 65 mm

80 × 80 mm

100 × 100 mm

120 × 120 mm

Others