

MiniMech™ Rotary Stage

Optics

Lenses

Mirrors & Beamsplitters

Prisms & Polarizers

Filters

Pinholes

- **Compact**
- **Rotation 360° coarse, 6° fine**
- **Lockable**
- **Radial ball bearing design**



Opto-mechanics

Breadboards & Rails

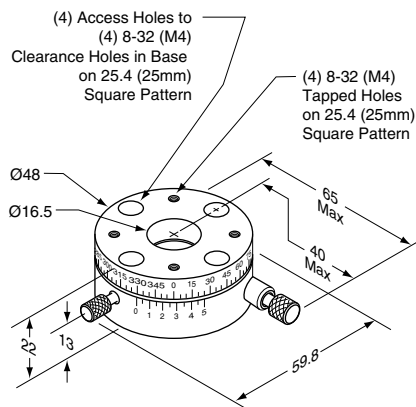
Mounting Hardware

Mirror & Component Mounts

Manual Micro Positioners

Motorized Positioners

The MiniMech™ Rotary Stage provides a full 360 degrees of rotation from a stage supported on radial ball bearings. Coarse and fine adjustments are available, allowing initial rotation to be carried out by hand followed by fine adjustment over a range of 6 degrees using the fine adjusting screw. A vernier scale enables the angular position of the table to be read to an accuracy of 30 arcmin, although a minimum incremental movement or resolution of less than 30 arcsec can be achieved with care. Clearance holes in the top plate of this translation stage permit access to mounting holes in the base of the unit.



74-0238/61-0238
MiniMech™ Rotary Stage

Specifications

Range: 360° coarse, 6° fine

Resolution: <30 arcsec

Parallelism to Base: <1 arcmin

Load Capacity -

Horizontal: 10 kg (22 lb)

Vertical: 1 kg (2.2 lb) balanced

Weight: 165 g (0.4 lb)

Hole Patterns -

Metric: M4 x 25 mm

Inch: 8-32 x 1 inch

MiniMech™ Rotary Stage

Catalog Number	Description	Price US
74-0238	MiniMech Rotary Stage, Metric	\$388.50
61-0238	MiniMech Rotary Stage, Inch	\$388.50