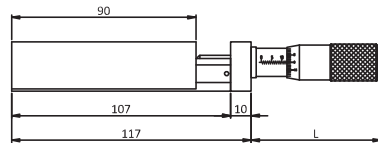
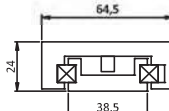
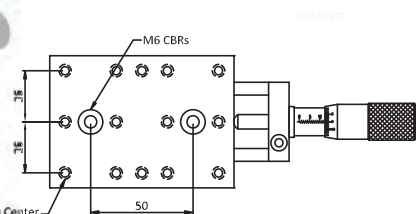


TS-90 Translation Stage

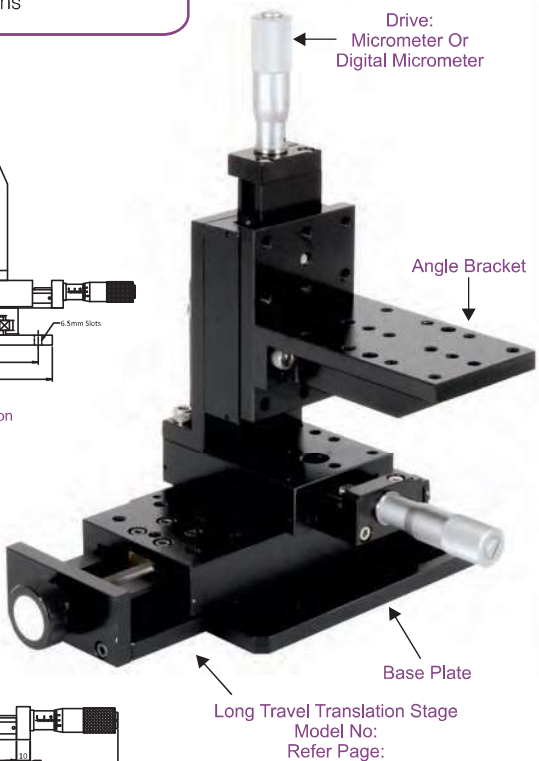
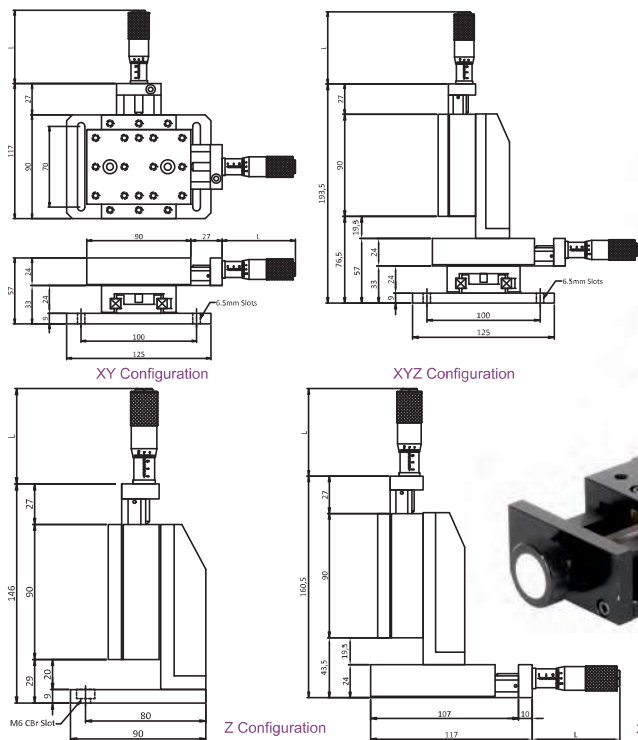
Travel: 25mm
 Carriage Size : 90mmx65mm
 Load Capacity : 20kg vertical on X Axis
 Drive: Micrometer/ digital micrometer

Specifications

- ▶ Straight Line Accuracy: 7.5µm
- ▶ Micrometer Linear Resolution: 10 µm
- ▶ Guide way: Precision Ball Bearing Guide Way
- ▶ Construction: Aluminum Alloy B51S
- ▶ Finish: Black Anodized
- ▶ Mounting Holes : M6 Tapped Holes on Carriage
 : M6 CBR Hole for Mount the Stage to Base Plate or breadboard
- ▶ Mounting Options: Directly Mount to Breadboard by Using M6 Screws
 : Breadboard Mounting by Using Base Plate
- ▶ Design: Modular Design for Multi Axis Configurations



Configuration	Load Capacity (kg)
X	20
XY	20
XYZ	6
Z	6
XZ	6



Accessories >>



Model No: Micrometer Drive	Model No: Digital Micrometer Drive	Configuration	Base Plate	Qty	Adapter Plate	Qty	Angle Bracket	Qty	Z Axis Angle Bracket With Base Plate	Qty
TS90-Mu10-01	TS90-DMu-01	X Axis	✓	1						
TS90-Mu10-02	TS90-DMu-02	XY Axis	✓	1						
TS90-Mu10-03	TS90-DMu-03	XYZ Axis	✓	1	✓	1	✓	2		
TS90-Mu10-04	TS90-DMu-04	Z Axis	✓	1	✓	1	✓	1	✓	1
TS90-Mu10-05	TS90-DMu-05	XZ Axis	✓	1	✓	1	✓	1		



▶ **Digital Micrometer**
 Length: L- 108
 Resolution: 0.01 mm
 Lead screw pitch : 0.5 mm



▶ **MicroMeter**
 Length: L-65 +/- 12.5
 Linear resolution: 0.01 mm/Div
 Lead screw pitch : 0.5 mm