

Multi axes Translation Stages

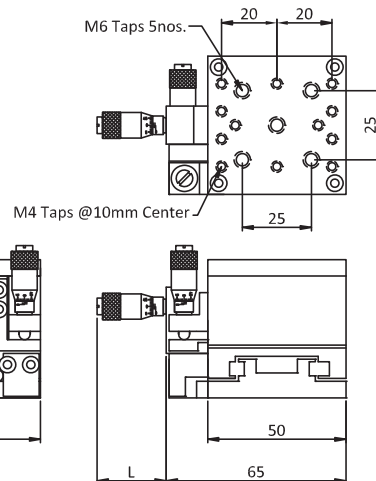
XYZ Compact Translation Stage Model : XYZCTS50

This stage is designed and constructed to be compact and to be suitable for space restricted applications. Unlike our TS series modular stages, these stages are factory assembled as a three axes positioner. Micrometers or lead screws can be used for driving the stage.

All the driving adjustment lead screws/micrometers are fixed on one side for ergonomical positioning control. M6 tapped holes are provided on top and bottom for mounting purpose. A base plate need to be used for mounting on to breadboards and optical tables.



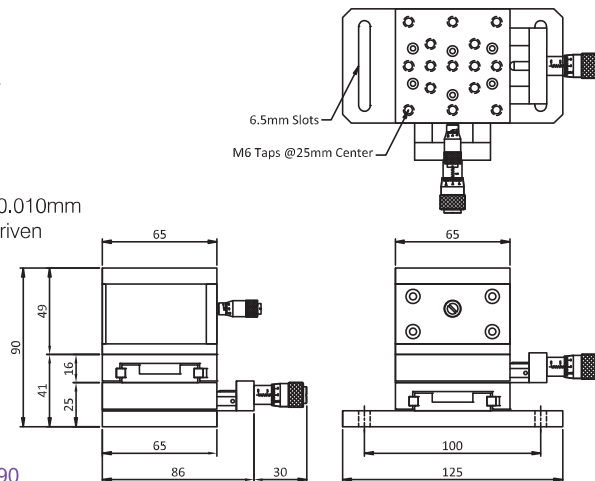
- ▶ Single side control
- ▶ 10mm travel for X axis
- ▶ 5mm travel for YZ axis
- ▶ 50x50mm top size
- ▶ 50mm minimum height
- ▶ 1kg load capacity
- ▶ Straight line accuracy : 0.010mm
- ▶ Precision micrometer driven
- ▶ M6/M4 mounting holes
- ▶ Post/ base mountable



XYZ Compact Translation Stage Model : XYZCTS65



- ▶ 15mm travel for XY axis
- ▶ 6mm travel for Z axis
- ▶ 65x65mm top size
- ▶ 90mm minimum height
- ▶ 15kg load capacity
- ▶ Straight line accuracy: 0.010mm
- ▶ Precision micrometer driven
- ▶ M6 mounting holes
- ▶ Base mountable



XYZ Compact Translation Stage Model : XYZCTS90



- ▶ 25mm travel for X axis
- ▶ 10mm travel for YZ axis
- ▶ 90x90mm top size
- ▶ 90mm minimum height
- ▶ 15kg load capacity
- ▶ Straight line accuracy: 0.010mm
- ▶ Precision micrometer driven
- ▶ M6 mounting holes
- ▶ Base mountable

