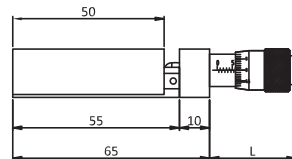
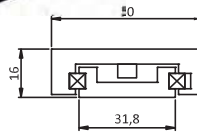
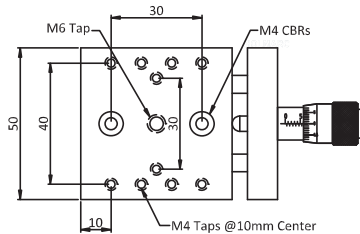


TS-50 Translation Stage

Travel: 10mm
 Carriage Size : 50mmx50mm
 Load Capacity : 5kg vertical on X axis
 Drive: Micrometer

Specifications

- ▶ Straight Line Accuracy: 7.5µm
- ▶ Micrometer Linear Resolution: 10 µm
- ▶ Guide way: Precision Ball Bearing Guide Way
- ▶ Construction: Aluminum Alloy B51S
- ▶ Finish: Black Anodized
- ▶ Mounting Holes : M4 Tapped Holes on Carriage
 : M6 Tapped Hole on Top and Bottom
 : M4 CBR Hole for Mount the Stage to Base Plate
- ▶ Mounting Options: Post Mountable by Using M6 Thread
 : Breadboard Mounting by Using Base Plate
- ▶ Design: Modular Design for Multi Axis Configurations



Configuration	Load Capacity (kg)
X	5
XY	5
XYZ	2
Z	2
XZ	2

XY configuration



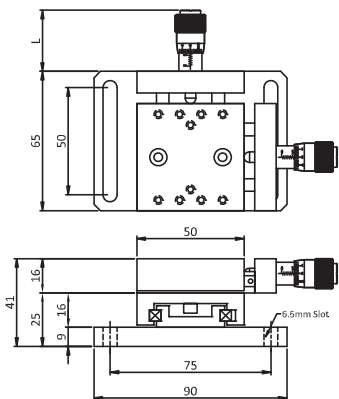
XYZ configuration



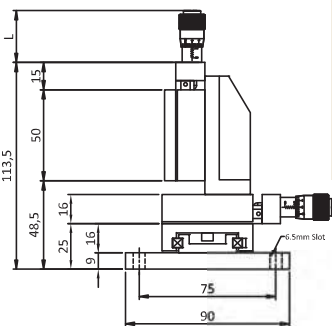
Z configuration



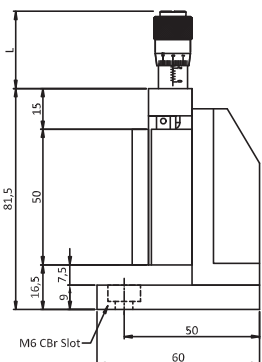
XZ configuration



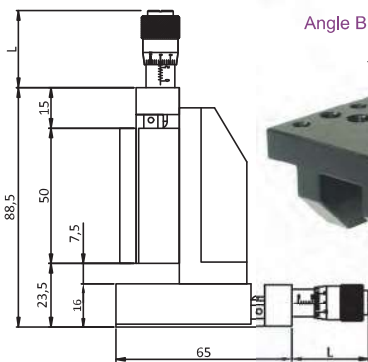
XY Configuration



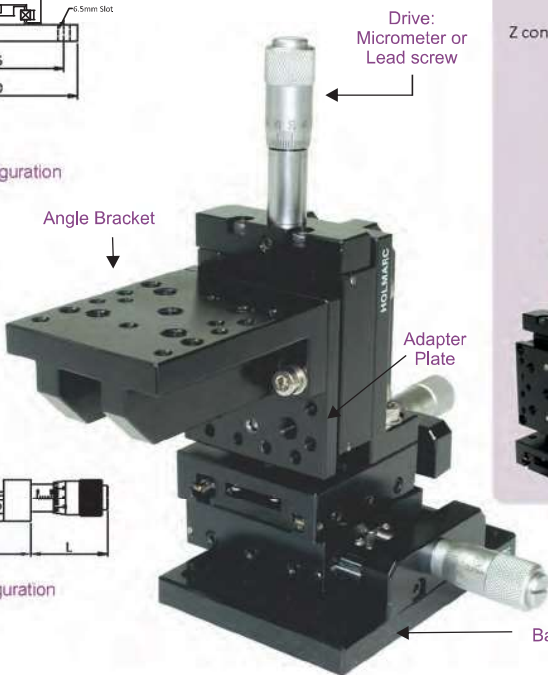
XYZ Configuration



Z Configuration



XZ Configuration



Model No: Micrometer Drive	Configuration
TS50-Mu10-01	X Axis
Ts50-Mu10-02	XY Axis
Ts50-Mu10-03	XYZ Axis
Ts50-Mu10-04	Z Axis
Ts50-Mu10-05	XZ Axis

Accessories >>



Base Plate
BPTS-35



Adapter Plate
APTS-35

Angle Bracket
ABTS-35



Z Axis Angle Bracket with Base Plate
ABZTS-35