



# GL 532-L Series Green

## CW Lasers



- ◆ 100-2000mW Output
- ◆ Low Divergence, Low Noise
- ◆ Diode Pumped, Compact, Air-Cooled

System Specifications	GL 532 -100	GL 532 -200	GL 532 -500	GL 532 -1000	GL 532 -2000
Wavelength	532nm	532nm	532nm	532nm	532nm
Output Power	100mW	200mW	500mW	1000mW	2000mW
Beam Diameter at the aperture	2.0 mm	2.0 mm	3.0 mm	3.0 mm	3.0 mm
Transverse mode	TEM <sub>00</sub>	TEM <sub>00</sub>	TEM <sub>00</sub>	Near TEM <sub>00</sub>	Near TEM <sub>00</sub>
Beam divergence	<1.5 mrad	<1.5 mrad	<1.5 mrad	<2.0 mrad	<2.0 mrad
M <sup>2</sup> factor	M <sup>2</sup> ≤1.2	M <sup>2</sup> ≤1.2	M <sup>2</sup> ≤2.0	M <sup>2</sup> ≤2.0	M <sup>2</sup> ≤2.0
Spectral linewidth	<0.1 nm	<0.1 nm	<0.1 nm	<0.1 nm	<0.1 nm
Coherent length	>1m	>1m	>1m		
Point stability after warm-up				<0.05mrad	<0.05mrad
Polarization ratio	>100:1	>100:1	>100:1	>100:1	>100:1
Power stability	1%,5%over 4 hours	1%,5%over 4 hours	1%,5%over 4 hours	1%,5%over 4 hours	1%,5%over 4 hours
Noise of amplitude	<0.5% RMS	<0.5% RMS	<0.5% RMS	<0.5% RMS	<0.5% RMS
Warm-up time	5minutes	5minutes	5minutes	5minutes	5minutes
Expected lifetime	10000 hours	10000 hours	10000 hours	10000 hours	10000 hours
Warranty time	1 year	1 year	1 year	1 year	1 year

### Specifications

Utility and Environmental Requirements	Power supply	80-260VAC
	Power Consumption	50W
	Operating temperature	10-35°C
	Dimensions(L×W×H)	
	Laser Head	160×60×50mm
	Power Supply	194×160×90mm
	Weights	
	Laser Head	0.38Kg
Power Supply	1Kg	

# 532nm

## CW Green Lasers

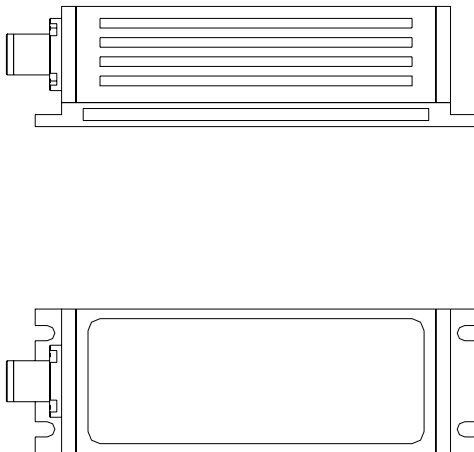


Beijing ZK Laser Co., Ltd is a sophisticated industry entity which takes the high power, multi- wave lengths solid state lasers as its main products. It researches, evelopments its products unceasingly.

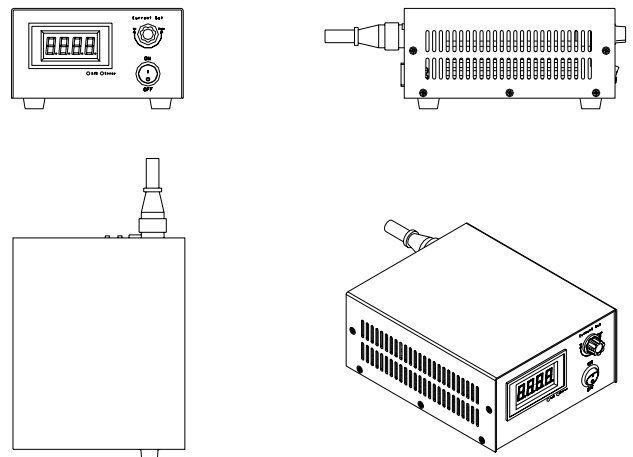
The 532 nm Green CW Lasers are diode pumped frequency laser with compacted, rugged and air-cooled geometry.

The lasers have the features of ultra compact, long lifetime, low cost and easy operation, which is applied in DNA sequencing, Flow cytometry, Cell sorting, Spectrum analysis, Interference, Holography, Laser printing, Chip inspection, Physics experiments, etc.

Laser Head



Power Supply



**ZK LASER**®

All Dimensions are in mm

Beijing ZK Laser Co., Ltd

Address:26 Dongbeiwang South Road,Haidian District,Beijing,China

Tel: +86-10-62964766

Fax: +86-10-62974734

E-mail : [sales@zklaser.com](mailto:sales@zklaser.com)

Website: [www.zklaser.com](http://www.zklaser.com)

ZK Laser follows a policy of continuous product improvement. Specifications are subject to change without notice.

ZK Laser offers a limited warranty for all GL™ systems. For full details on warranty coverage, please refer to the Service and Support section at [www.zklaser.com](http://www.zklaser.com), or contact your local Sales or Service Representative.

Printed in the China MC-GL04-2005-2.4M1001REV1  
Copyright © 2005 Zk Laser Co.,Ltd.

