

## Pyroelectric SmartSensors

See pages 20-21 for sensor dimensions.

| Catalog Number | Name | Energy |              |            | Power             |     | Aperture (mm) | Spectral Range ( $\mu\text{m}$ ) | Accuracy ( $\pm\%$ ) | Notes | Maximum Pulse Width (ms) | Maximum Repetition Rate (Hz) |
|----------------|------|--------|--------------|------------|-------------------|-----|---------------|----------------------------------|----------------------|-------|--------------------------|------------------------------|
|                |      | Max    | Min (note v) | Resolution | Average Power Max | Min |               |                                  |                      |       |                          |                              |

### Large Aperture

|         |          |      |        |                  |      |        |      |           |     |      |      |    |
|---------|----------|------|--------|------------------|------|--------|------|-----------|-----|------|------|----|
| 33-1173 | LM-P10i  | 10 J | 0.5 mJ | 10 $\mu\text{J}$ | 10 W | 0.5 mW | 43.2 | 0.19-10.6 | 5 q | e, x | 1.00 | 50 |
| 33-1165 | LM-P10   | 20 J | 0.7 mJ | 10 $\mu\text{J}$ | 10 W | 0.7 mW | 50.8 | 0.19-20   | 5 q | x    | 2.30 | 10 |
| 33-1199 | LM-P10LP | 20 J | 0.7 mJ | 10 $\mu\text{J}$ | 10 W | 0.7 mW | 50.8 | 0.19-20   | 5 q | x    | 2.30 | 10 |

All Pyroelectric SmartSensors are supplied with a 1.8 m (6 ft) cable, stand, damage test slide and NIST traceable Calibration Certificate.

(q)  $\pm 7\%$  from 0.19-0.30  $\mu\text{m}$ .

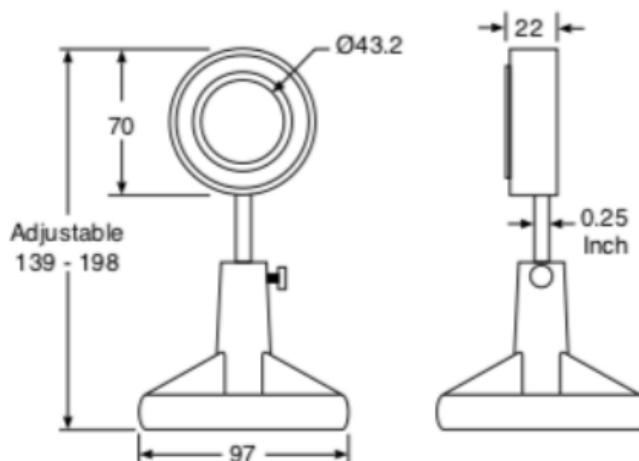
(y) For use with the Ultima LabMaster and FieldMaster-GS only.

(v) 10x Amp available, (catalog number 33-0480), please call for details.

(#) No test slide supplied.

(e) Max of 1 Joule for FieldMaster.

(x) Max pulse width is 0.3 ms for FieldMaster.



**33-1173 LM-P10i**