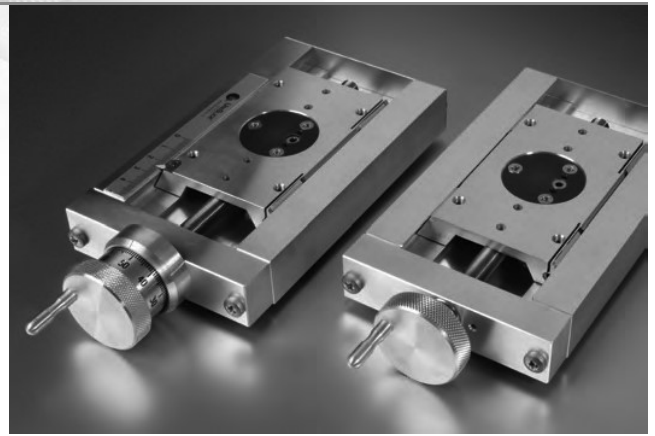


A4000 series

The A4000 series is ideally suited to a wide variety of industrial, optical and laboratory applications. Offering two standard styles, the **Standard** (V&K) and **Precision** (Q.5&Q1).

Options include longer sliders to increase stability for large or cantilevered loads. For a full range of options and customisation, including locking devices please refer to **Options**, page 23.

Motorised units are shown page 16.

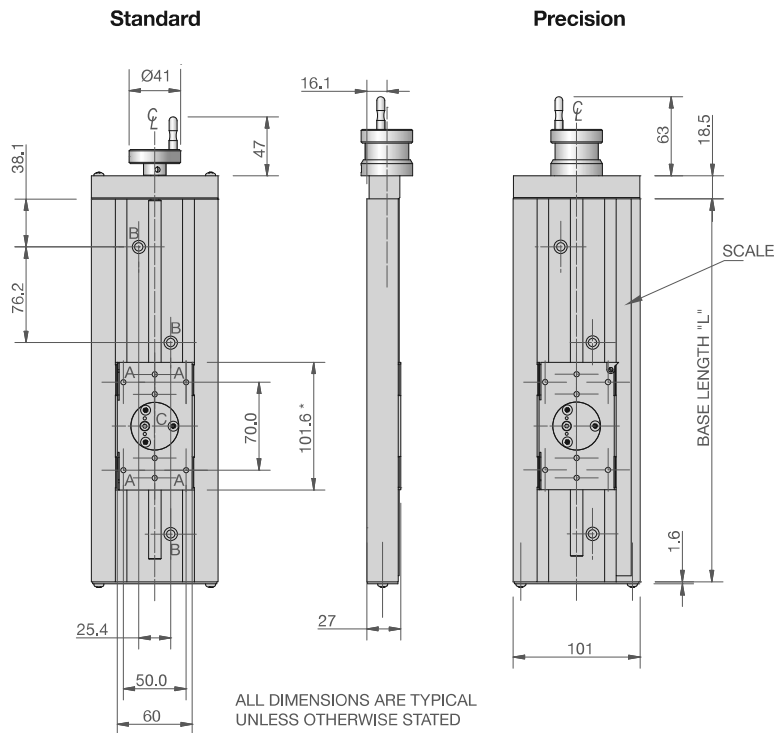


Drawings can be downloaded from our website:
www.lg-motion.co.uk/downloads

Notes:

- A. Mounting holes M5 x10mm.
- B. Holes in base to fit M6 Cap screws.
- C. Leadscrew nut 38mm dia. recessed with slider top surface. Not suitable as a mounting surface.
- *D. Optional sliders
 Slider 152.4, Hole centres as drawing
 Slider 203.2, Hole centres as drawing

Resolution
 Q.5 - 0.005mm
 Q1 - 0.01mm



Model	Base Length 'L'	Stroke mm	Weight kg (typical)	Load Capacity	Leadscrew Ø10mm
A4006	152.4mm (6")	51	1.0	Horizontal, Ln = 50kg Cantilevered side, Lcs = 15kg/cm Cantilevered inline, Lci = 23kg/cm	Standard Grade <0.05mm/100mm V = 0.5mm pitch K = 1.0mm pitch Precision Grade <0.02mm/100mm Q.5 = 0.5mm pitch Q1 = 1.0mm pitch
A4009	228.6mm (9")	127	1.4		
A4012	304.8mm (12")	203	1.9		
A4015	381mm (15")	280	2.3		
A4018	457.2mm (18")	356	2.7		
A4021	533.4mm (21")	432	3.1		
A4024	609.6mm (24")	508	3.5		
A4027	685.8mm (27")	584	3.9		
A4030	762mm (30")	661	4.3		