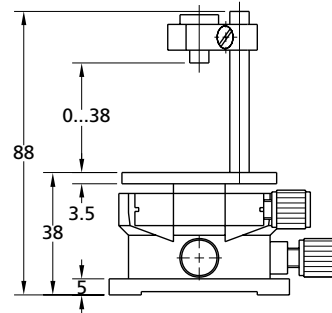
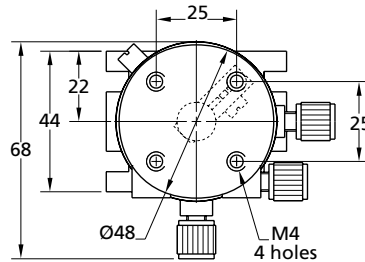
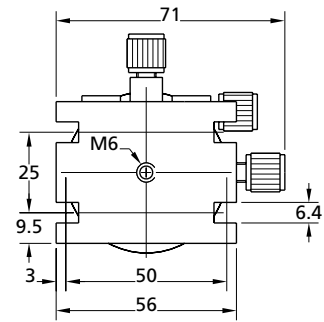


860-0110 TILT / ROTATION STAGE



The model 860-0110 tilt/rotation stage provides two independent tilt adjustments within $\pm 5^\circ$ range and $\pm 4^\circ$ in-plane rotation adjustment. Precision screws provide 9 arcsec resolution in rotation and both tilt planes (adjustment screws M6 \times 0.25, 3 pcs.).

The mounting clamp with a spring-loaded disengagement knob allows easy insertion and removal of optical components up to 39 mm height and 30 \times 30 mm in square. 860-0110 stage is attached to a table through clearance holes in its base. The main elements of the stage are finished with black anodized aluminium.



Code	Weight, kg	Price, EUR
860-0110	0.23	175

Mounting option:
 Large Rod with
 Rod Base **810-0050**,
 Large Rod Mounting
 Clamp **810-0061**,
 Movable Base
820-0090,
 Tilt/Rotation
 Stage **860-0110**



OPTICAL TABLES

BRACKETS & RAILS

BASE MOUNTS & ACCESSORIES

OPTICAL MOUNTS

OPTICAL POSITIONERS

BASE POSITIONERS

TRANSLATION & ROTATION STAGES

ADJUSTMENT SCREWS

MOTORIZED POSITIONERS