

860-0106

DOVETAIL LINEAR TRANSLATION STAGE



860-0106

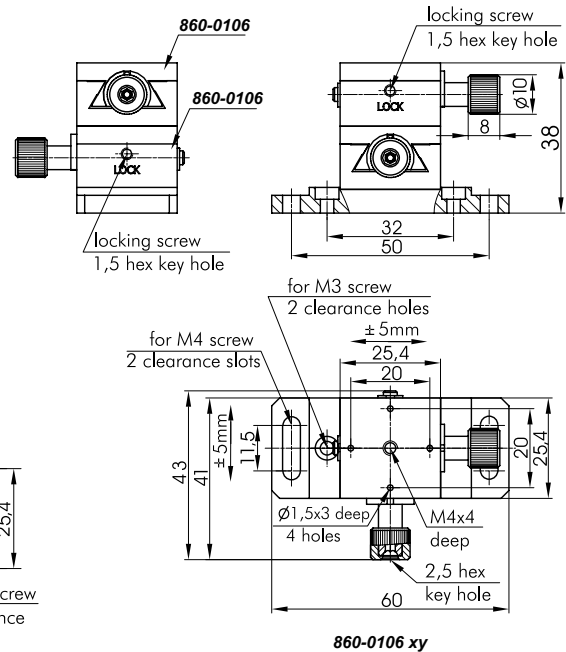
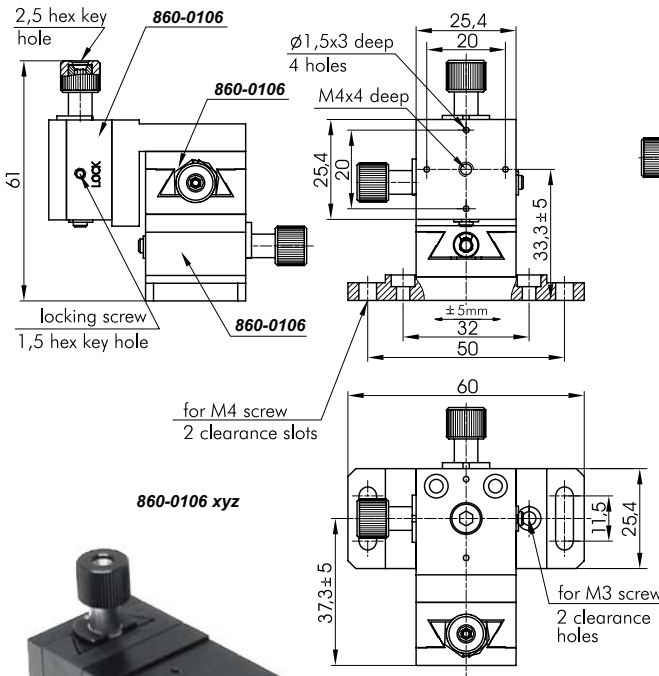
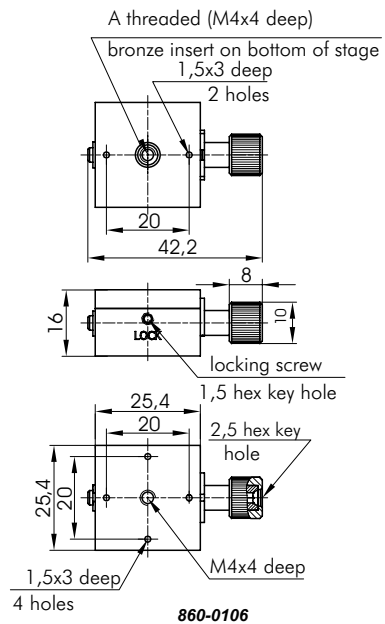
- Compact design
- Rebut Dovetail Mechanism
- Rapid, Smooth Positioning
- Lockable Moving Platform
- XY Miniature Dovetail Stages

Code	Price, EUR
860-0106	59
860-0106 XY	123
860-0106 XYZ	199

The Dovetail Translation Stage is miniature, ideal for use in applications where space is limited. The design uses a precision M4x0.25mm pitch lead screw for smooth linear positioning along the entire range of travel. The moving platform is lockable. Various application accessories are also available.

SPECIFICATIONS

Travel range	10 mm
Fine Screw pitch	0,25 mm
Sensitivity	1 µm
Resolution	1 µm
Drive Location	Center drive
Bearings	Dovetail
Load capacity	
Horizontal	1.5 kg
Vertical	1 kg
Material	Aluminium
Finish	Black anodized
Weight	0.03 kg



860-0106 xyz



860-0106 xy

OPTICAL TABLES

BRACKETS & RAILS

BASE MOUNTS & ACCESSORIES

OPTICAL MOUNTS

OPTICAL POSITIONERS

BASE POSITIONERS

TRANSLATION & ROTATION STAGES

ADJUSTMENT SCREWS

MOTORIZED POSITIONERS