

860-0100 MICRO TRANSLATION STAGE



860-0100 XY

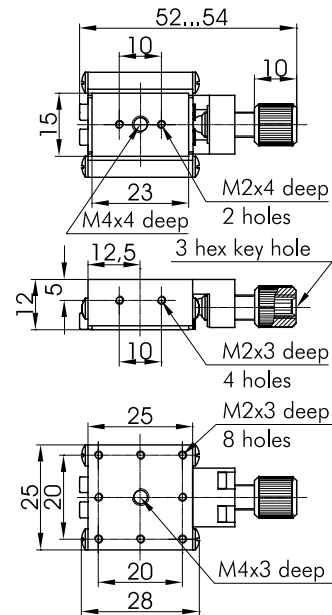
- Compact design
- Precision movement
- 5 mm travel range
- Precision ball bearings
- X-Y units available

Micro Translation Stage 860-0100 provides smooth, precise single axis movement. M2 and M4 mounting holes are provided. Angle brackets 810-0120 allow to stack the stages for X-Y and X-Y-Z motion. The base and the platform are produced from the black anodized aluminium.

SPECIFICATIONS

Travel range	5 mm
Sensitivity	1 µm
Tracking accuracy	2 µm
Load capacity:	
horizontal	0.5 kg
vertical	0.2 kg
Weight	0.04 kg

Code	Price, EUR
860-0100	142
860-0100-05	175



Use two Angle Brackets 810-0120 for X-Y-Z assembly.



860-0100 XY



860-0100-05 with Thin Micrometer 870-0055-02 installed

Base Plate

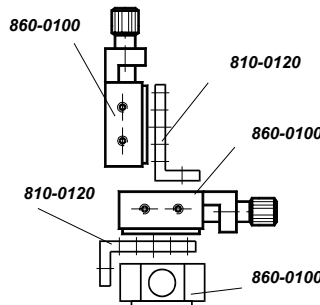
for M2 screw
6 clearance holes

for M6(1/4-20) screw
2 clearance slots

M2
4 holes

25(1")
20
10
20
50(2")
40

For stacking the translation stages 860-0100, 860-0102 and rotation stage 860-0130 to optical tables or to another stages.



Usage of angle bracket 810-0120



810-0120

Complementary Products

Code	Page
810-0120	8.26
870-0055-02	8.141

OPTICAL TABLES
BRACKETS & RAILS
BASE MOUNTS & ACCESSORIES
OPTICAL MOUNTS
OPTICAL POSITIONERS
BASE POSITIONERS
TRANSLATION & ROTATION STAGES
ADJUSTMENT SCREWS
MOTORIZED POSITIONERS