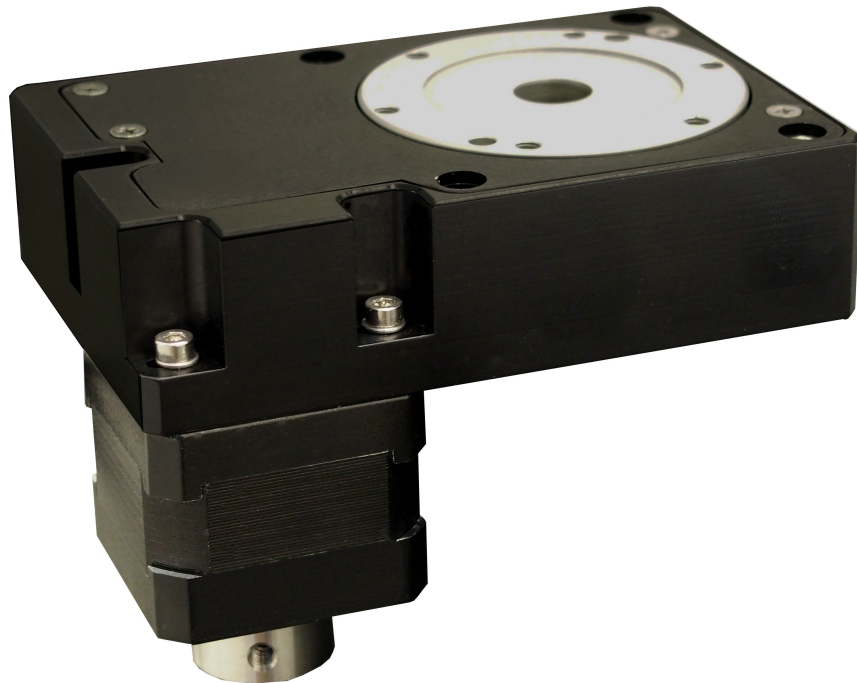


PRD75

**Features**

- Continuous rotary travel
- 5kg payload capacity
- Integrated NEMA17 step motor
- Home sensor
- 30 mm tall excluding the motor
- All stages tested for specification compliance

Overview

Primatics PRD75 is a miniature precision rotary stage. The integrated step motor is mounted below the stage providing a low profile, small footprint area well suited to stacked configurations. The drivetrain uses a toothed belt with pulley reduction providing high resolution output positioning.

Applications

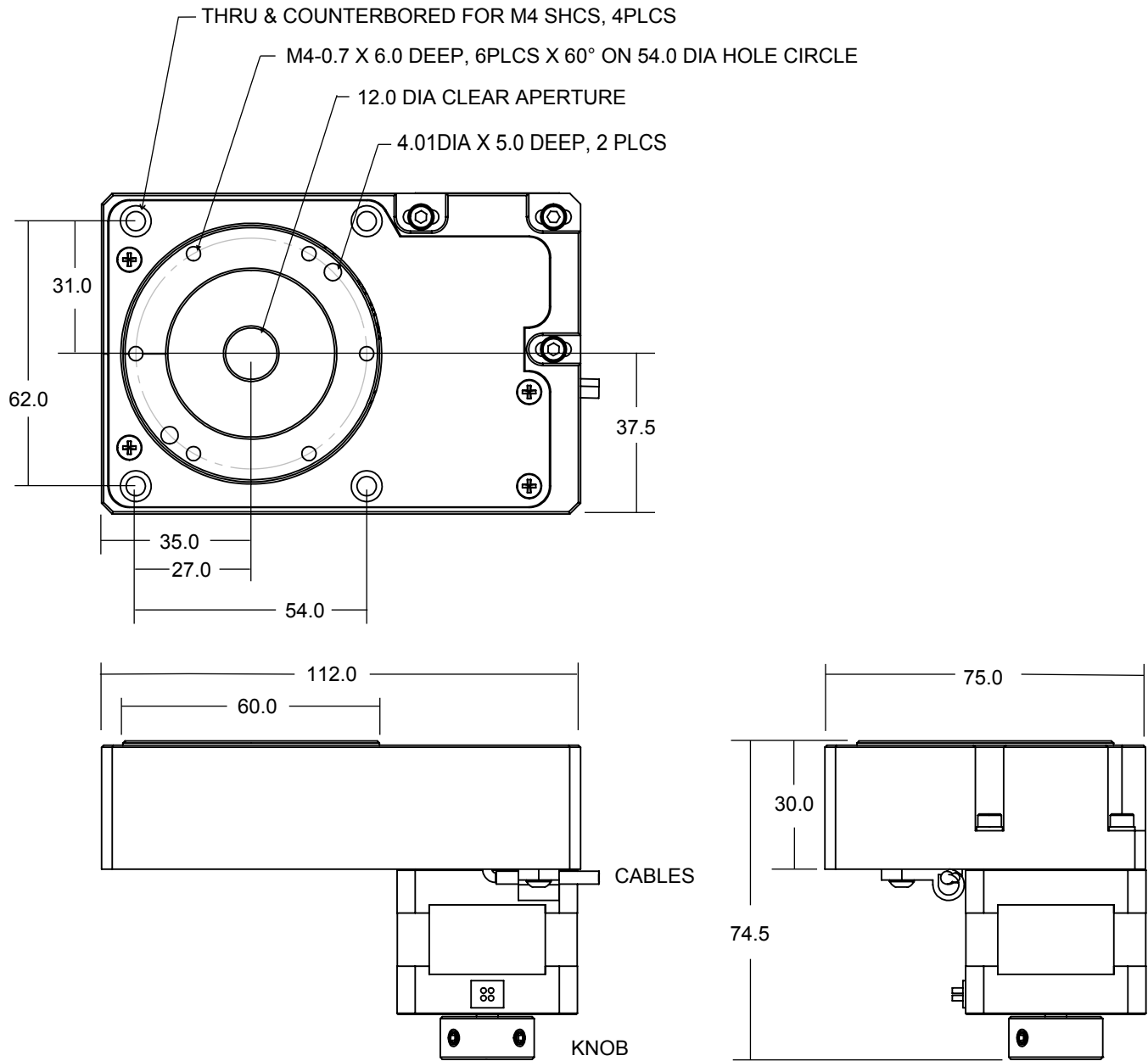
The PRD75 series is ideal for applications requiring a small form factor and good precision. These include inspection, assembly and material handling. The stepper motor is compatible with a wide variety of control systems and operating it in microstepping modes provides high resolution positioning.

Features

Each PRD stage is fully tested for specification compliance. A home sensor is included for initializing position of the stage.



Dimensions



Specifications

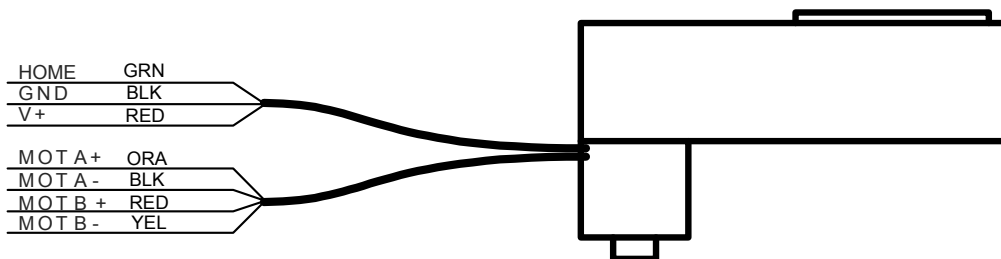
Specifications	PRD75
Travel (mm)	360
Pulley Ratio	4.44:1
Resolution (arc-sec)	5.83 (at 50000 usteps/rev of motor)
Bi-directional repeatability (arc-min)	+/- 1.5
Accuracy (arc-min)	+/- 5.0
Radial and Axial Runout (μm)	+/- 12
Direct Loading Capacity (kg)	5
Torque (in-lbs)	1.00E+01
Stage weight (kg)	0.7

All specifications subject to change without notice.

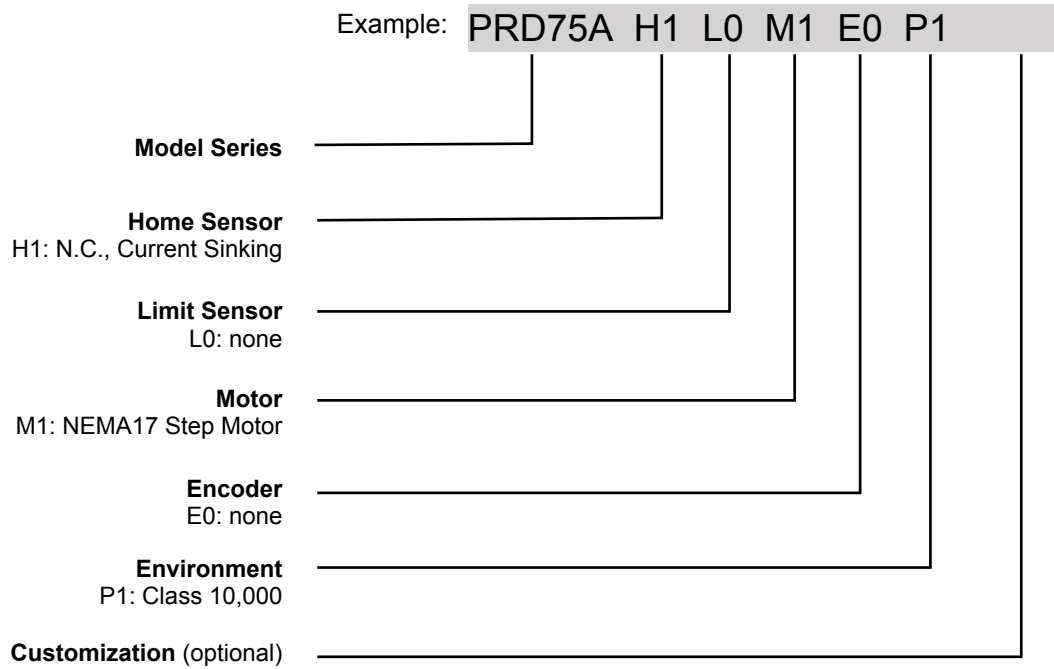
Motor , Sensor Data

Parameter	Value
Motor	
Motor Type	Stepper, 200 steps/rev
Torque (oz-in)	28
Continuous Current (Arms)	0.71
Phase Resistance (ohms)	7.3
Phase Inductance (mH)	10
Sensor	
Power	5 to 24VDC, 35mA
Output	Current sinking, 50mA max

Wiring Diagram



PRD75 Model Configuration



Not all configurations are valid - consult factory for assistance