

Translation Stages

Linear Manual

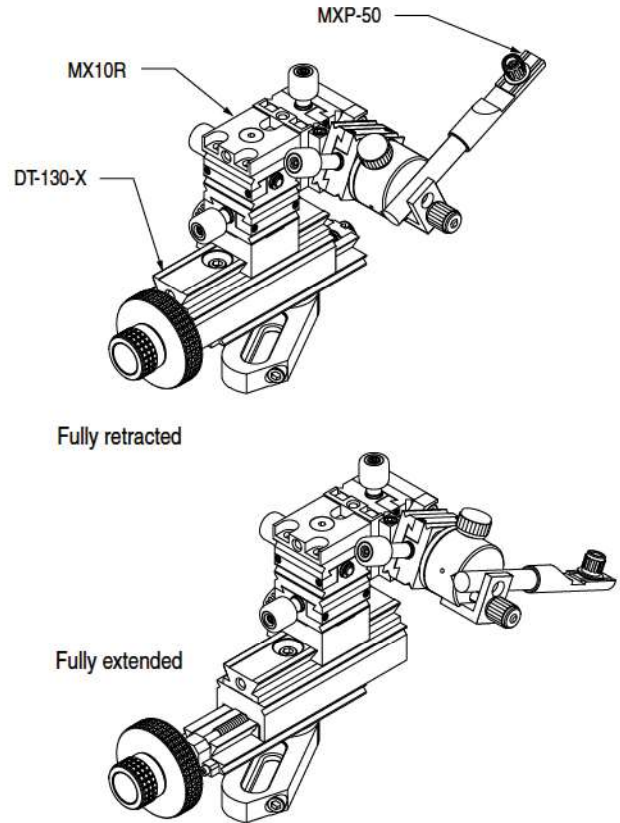
Dovetail Slides

1-1/2 inch XYZ Fast Travel / DT-130 Series

Note that dimensions in parentheses (mm) reflect metric assembly features



DT-130 Series



Product Features

- Integrated 3mm fine adjustment and 42mm coarse fast adjustment
- Unique sliding XY assembly clamp
- Submicron fine resolution

Performance Specifications

Maximum load	1 lb
Travel range	
fine	3 mm
coarse / fast	42 mm
Minimum controllable motion	
fine	5 μ m
coarse / fast	100 μ m

Related Products

RC dovetail carriers	129
MXC probe clamps	175

Order Information

3-axis fast travel stage, right hand	DT-130-XYZR
3-axis fast travel stage, left hand	DT-130-XYZL
2-axis fast travel stage	DT-130-XY
single-axis fast travel stage	DT-130-X
dovetail stage angle bracket	DT-130-AB

Metric Option — for metric assembly features on this product, add '-M' after model number.

Modular Fast Travel Stages

The DT-130 series of dovetail stages integrates a coarse fast travel stage and a fine adjustable stage in one simple device. The coarse fast action is controlled by a 0.74-inch diameter knob that is attached to a multi-lead adjustment screw that drives the stage across 42 millimeters of travel in only three revolutions. The fine adjustment is controlled by a large 1.5-inch diameter knob that is attached to a 100TPI adjustment screw which moves the stage across 3 millimeters of travel. This large knob improves leverage and control of any fine adjustments so that movement approaching submicron accuracies can be achieved.

Three models of the DT-130 series are available: single-axis DT-130-X, 2-axis DT-130-XY and 3-axis DT-130-XYZ. The XY and XYZ versions employ a unique sliding clamp that attaches to the V-groove on the top or bottom of the stage. This simple clamp allows the user to select the location of the orthogonal stage anywhere along the 3.0 inch length of the stage. This clamp is also available as a two-piece angle bracket for creating customized subassemblies.