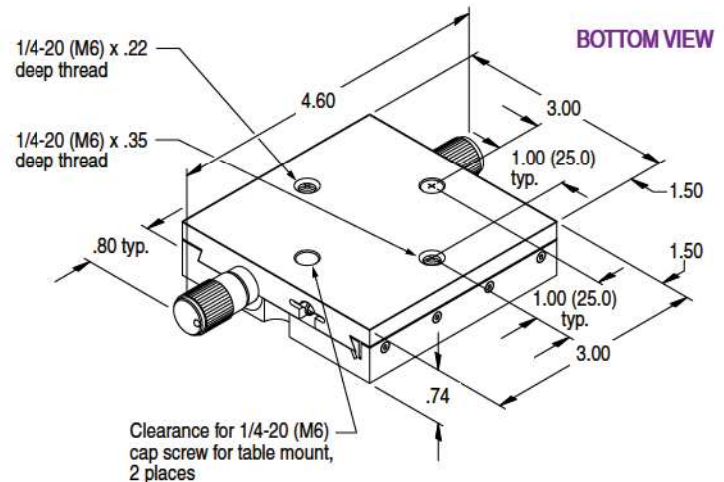
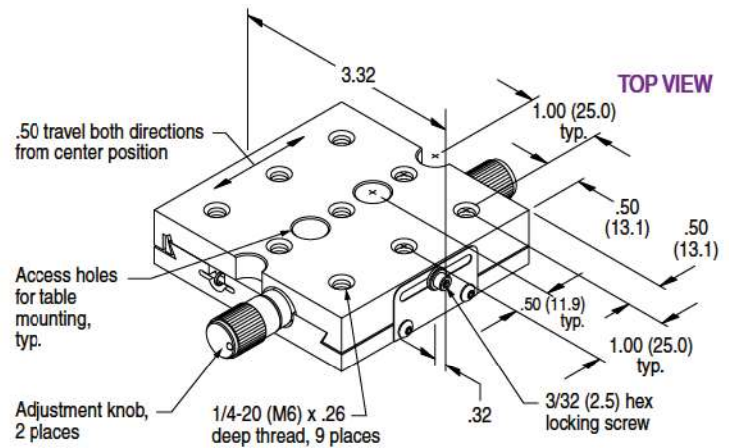


### 1 inch Travel / DT-300

Note that dimensions in parentheses (mm) reflect metric assembly features



DT-300



#### Product Features

- Rapid positioning
- Stable dovetail design
- Lockable
- Vacuum compatible versions available upon request

#### Performance Specifications

Maximum horizontal axis load	20 lbs
Maximum vertical axis load	5 lbs
Travel	1.0 inch (25 mm)
Minimum controllable motion	10 $\mu$ m

#### Related Products

AB-U aluminum base	118
--------------------	-----

#### Order Information

dovetail stage, 1.0 inch travel **DT-300**

**Metric Option** — for metric assembly features on this product, add '-M' after model number.

### Dovetail Translation Stage

The DT-300 dovetail translation stage offers rapid 1.0 inch (25 mm) linear positioning for a variety of components. Adjustment of the 20 pitch lead screw can be made from either side of the DT-300. The drive mechanism is spring-loaded to minimize backlash. Smooth travel is obtained with a rugged dovetail slide track.

The side located, non-influencing foil lock of the DT-300 locks the slide securely in place without moving the stage from its position. DT-300s can be stacked for coarse XY positioning, or mounted with our MX-AB for Z-axis applications.