

Translation Stages

Linear Manual

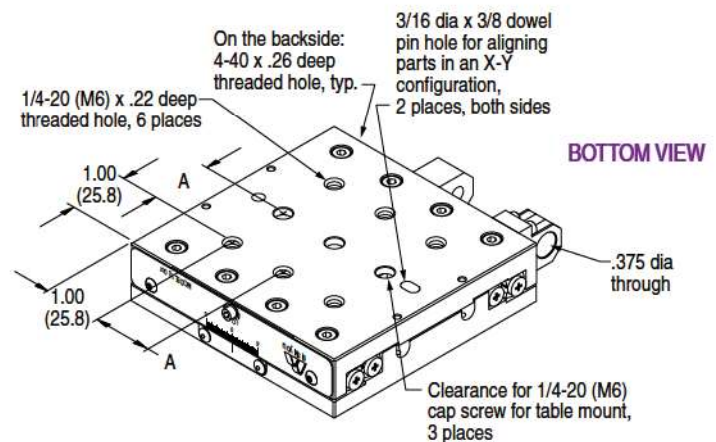
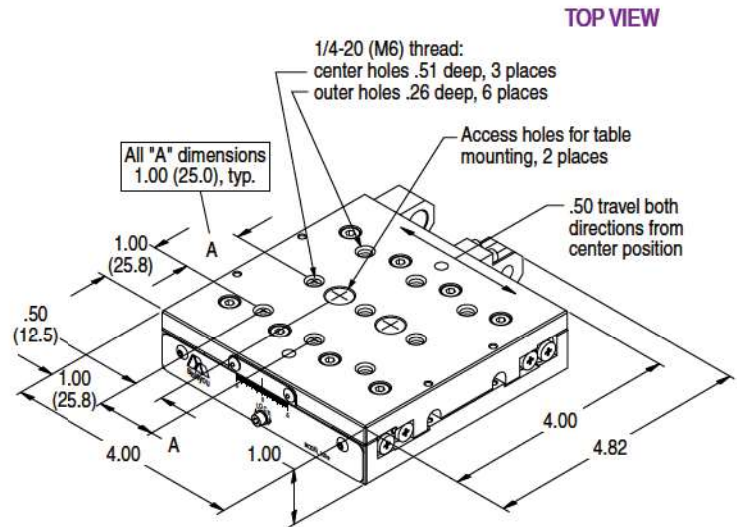
Crossed Roller Stages

1 inch Travel / 100cr

Note that dimensions in parentheses (mm) reflect metric assembly features



Model 100cr



Product Features

- Integrated scale / lock
- Right and left hand drive adjustable
- Compatible with standard micrometers
- Vacuum compatible versions available upon request

Performance Specifications

Maximum horizontal axis load	70 lbs, centered
Maximum vertical axis load	10 lbs, centered
Travel	1.0 inch (25 mm)
Minimum controllable motion	
20TPI	20 μ m
40TPI	10 μ m
80TPI	submicron
100TPI	submicron
127TPI	submicron

Related Products

MX-AB adapter block	120
TPI adjustment screws	beginning 84
841 actuator	93
400 series actuators	90
motorized version	64

Order Information

crossed roller stage, 1.0 inch travel **100cr**

Metric Option — for metric assembly features on this product, add 'M' after model number.

Crossed Roller Translation Stage

The 100cr precision crossed roller bearing translation stage offers exceptionally smooth linear travel. The time-tested design has been improved with the addition of more bearing area than similar stages. The increased bearing surface reduces non-linear motion when changing directions, and maximizes linearity towards the end of travel.

The 100cr has a side located non-influencing lock that is integrated with a graduated scale for position readout of 0.04 inches (1 mm). The actuator mounting block and stop block are designed to enable either right or left hand mounting of the drive device. The actuator mounting block is compatible with our TPI series adjustment screws, 400 and 800 series actuators, as well as standard micrometers.

The spring-loaded 100cr stage is stackable for XY positioning requirements, and has pin pockets to optimize orthogonality. It is compatible with our MX-AB for Z-axis applications.