

Translation Stages

Linear Manual

Crossed Roller Stages

1/2 and 1 Inch XYZ Travel / .5cr Series

Note that dimensions in parentheses (mm) reflect metric assembly features

.5cr Series



Product Features

- Low profile design
- Non-influencing lock
- High load crossed roller bearings
- Vacuum compatible versions available

Performance Specifications

Travel Range:	
50.5cr series	0.5 inch (12mm)
100.5cr series	1.0 inch (25.4mm)
150.5cr series	1.0 inch (25.4mm)
Maximum Horizontal axis Load	
50.5cr series	5 lb
100.5cr series	10 lb
150.5cr series	15 lb
Maximum Vertical axis Load	
50.5cr series	2 lb
100.5cr series	4 lb
150.5cr series	6 lb
Resolution	
with 80TPI adjustment screw	5µm
with 100TPI adjustment screw	submicron

Related Products

SDM and SM series micrometers	84
80 and 100 TPI actuator screws	88
420 series motorized actuators	90
angle brackets	38
ABP mounting plates	61

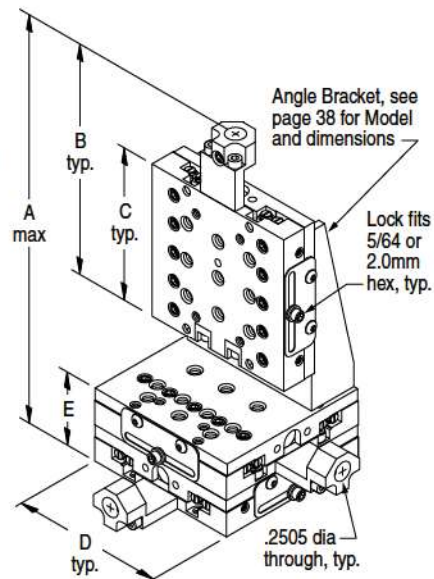
Order Information

0.5 inch travel stage / 1.3" <input type="checkbox"/>	
single-axis	50.5cr-X
2-axis	50.5cr-XY
3-axis, rh	50.5cr-XYZR
3-axis, lh	50.5cr-XYZL
1.0 inch travel stage / 2.1" <input type="checkbox"/>	
single-axis	100.5cr-X
2-axis	100.5cr-XY
3-axis, rh	100.5cr-XYZR
3-axis, lh	100.5cr-XYZL
1.0 inch travel stage / 3.25" <input type="checkbox"/>	
single-axis	150.5cr-X
2-axis	150.5cr-XY
3-axis, rh	150.5cr-XYZR
3-axis, lh	150.5cr-XYZL

Metric Option — for metric assembly features on this product, add 'M' after model number.

Crossed Roller XYZ Stages

The 50.5cr, 100.5cr and 150.5cr represent the thinnest line of crossed roller stages on the market today. Their slim design is ideal for applications in which space or height is critical. All three sizes are available in X-, XY- or XYZ-axis versions. Each axis has a non-influencing foil lock which virtually guarantees that the first adjustment is the last one. The foil lock has matching mounting holes on the opposite edge for maximum access flexibility. Depending on the sensitivity of the setup, either 8-80TPI or 8-100TPI adjustment screws, or SM-1 micrometers, can be used with these stages. Angle brackets are included in assemblies, and may also be purchased separately. See page 38 for Model numbers and dimensions.



Model	A	B	C	D	E
50.5cr-XYZ	3.37	1.85	1.30	1.30	1.00
100.5cr-XYZ	4.95	2.90	2.10	2.10	1.00
150.5cr-XYZ	6.10	4.05	3.25	3.25	1.00

Micrometers / Adjustment Screws / Motorized Actuators

See pages 82-93 for detailed information on these actuator options. Note that actuators do not have metric options.

Diff. Micrometers	Micrometers	Knob Drives	Hex Drives	Motorized Drives
1/4" Travel SDM-0.25	1/2" Travel SM-0.5	1/2" Travel 8-80TPI-0.5 8-100TPI-0.5	1/4" Travel 8-80TPI-0.2H 8-100TPI-0.2H	1/2" Travel, 512 1" Travel, 525
1/2" Travel SDM-0.5	1" Travel SM-1.0	1" Travel 8-80TPI-1.0 8-100TPI-1.0	1/2" Travel 8-80TPI-0.5H 8-100TPI-0.5H	Controllers 4 Axis, MC500 1 Axis, MC501