

Translation Stages

Linear Manual

Crossed Roller Stages

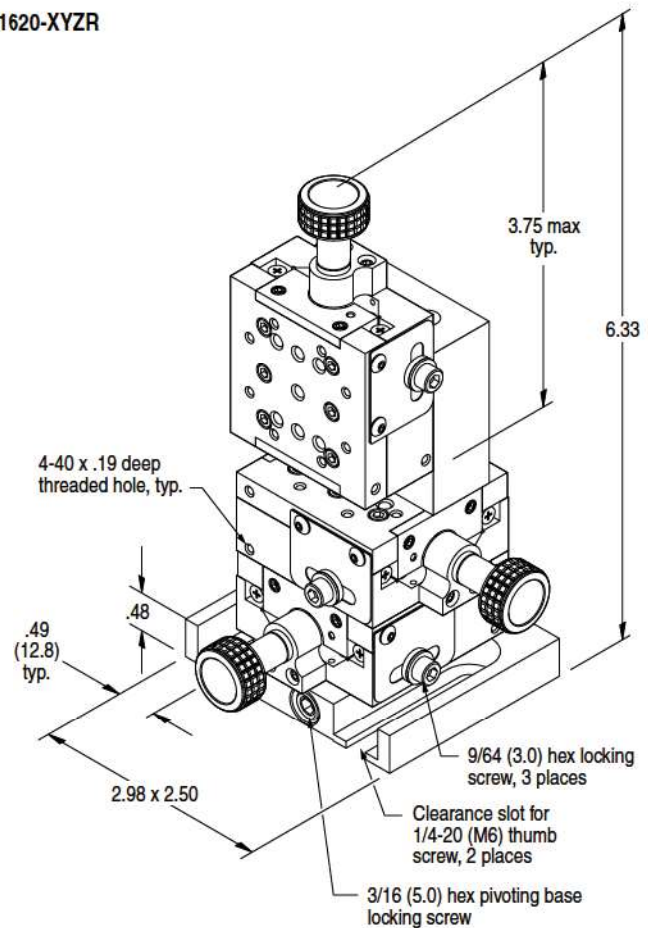
20mm XYZ Travel / 1600 Series

Note that dimensions in parentheses (mm) reflect metric assembly features



1620-XYZR

1620-XYZR



Product Features

- Color coded axis knobs
- Non-influencing lock
- Rotatable mounting base
- Vacuum compatible versions available upon request

Performance Specifications

Maximum horizontal axis load	10 lbs
Maximum vertical axis load	4 lbs
Travel	20 mm
Minimum controllable motion	
1620 series	10 μ m
1640 series	5 μ m
1680 series	submicron

Related Products

motorized version	66
-------------------	----

Order Information

crossed roller single-axis stage, 20TPI	1620-X
crossed roller 2-axis stage, 20TPI	1620-XY
crossed roller vertical stage, 20TPI	1620-Z
crossed roller 3-axis stage, 20TPI, rh	1620-XYZR
crossed roller 3-axis stage, 20TPI, lh	1620-XYZL

Thread Option for 40- or 80-pitch adjustment screws, change the Model Number to indicate the appropriate TPI adjustment screw

	1640-....
	or 1680-....

Metric Option — for metric assembly features on this product, add 'M' after model number.

Crossed Roller XYZ Stages

1600 series crossed roller translation stages are ideal for a wide range of submicron or micron-scale motion applications. Our 1600 series stages use precision rolled 20TPI, 40TPI, and 80TPI lead screws for smooth positioning along their entire travel. These lead screws are spring-loaded against a solid stop to ensure drift-free operation.

1600 series stages come standard with our ABP-R mounting plate. The design of this mounting plate enables coarse positioning between platform mounting holes as well as 360° of coarse rotational positioning. If rotation with a solid submicron level stop is required, the MX-RS rotation stage is designed to mount directly into the ABP-R and has mounting holes for all 1600 series stages.

A non-influencing foil lock is integrated into all 1600 series stages. Z-axis and XYZ-axis models have a Z-axis mounting block that allows the user to reconfigure the stage to fit the application. Color coded knob caps are used to identify axis location in low light conditions.