

12mm XYZ Travel, Miniature / DT Series

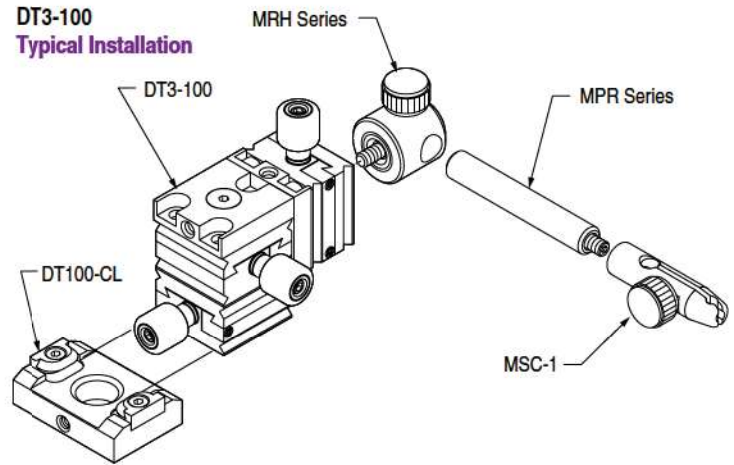
Note that dimensions in parentheses (mm) reflect metric assembly features



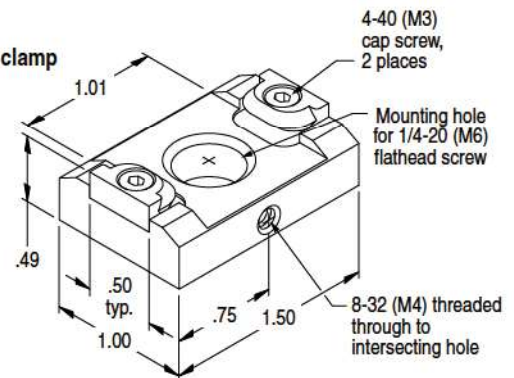
DT-100 Series



DT100-CL



DT100-CL
Dovetail mounting clamp



Product Features

- Fine 80 pitch adjustment
- Compact design
- Vacuum compatible versions available upon request

Performance Specifications

Maximum load	0.5 lbs
Travel	12 mm
Minimum controllable motion	5 μ m

Related Products

RS-100 rotary stage	71
---------------------	----

Order Information

dovetail single-axis stage	DT-100
dovetail 2-axis stage	DT2-100
dovetail 3-axis stage	DT3-100
dovetail stage angle bracket	DT100-AB
dovetail mounting clamp	DT100-CL

Metric Option — for metric assembly features on this product, add 'M' after model number.

Dovetail XYZ Stages

The DT-100 is a miniature dovetail stage that is ideal for positioning applications that require micron-scale resolution. They use precision rolled 80TPI leadscrews for smooth positioning along the entire length of travel.

The DT100's factory pre-set ensures exceptional straightness of travel for a dovetail stage. There are V-grooves into the sides of the bases, designed to slide into Delrin® clamps on the DT100-CL. Tightening the hex screws on these clamps holds the stage securely, without damaging or distorting the stage. The DT100-CL makes it easy to mount these stages almost anywhere.

They are available in X, XY, and XYZ configurations. The XYZ version is supplied with the DT100-AB angle bracket, which can be purchased separately to create XZ and YZ configurations.