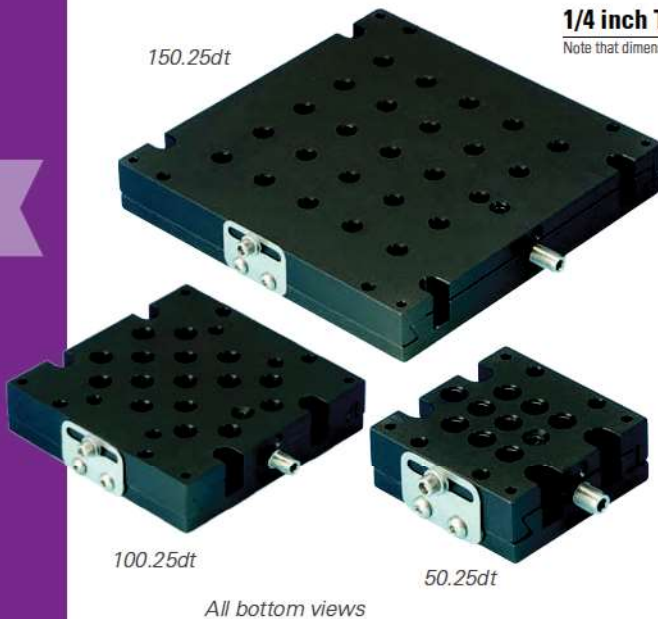


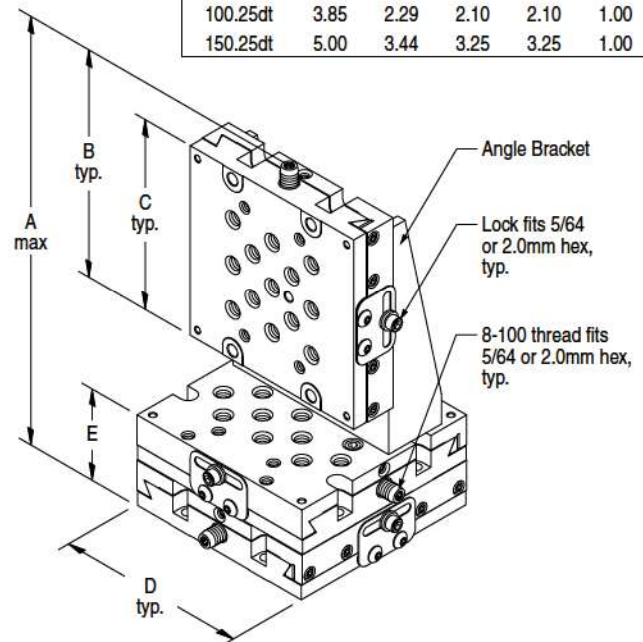
### 1/4 inch Travel / .25dt Series

Note that dimensions in parentheses (mm) reflect metric assembly features

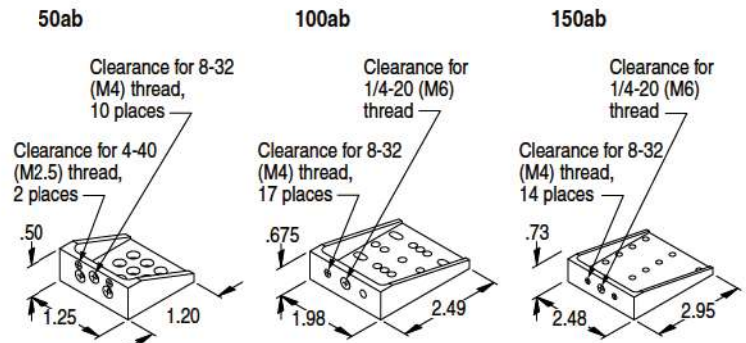


#### Typical Assembly

Model	A	B	C	D	E
50.25dt	2.82	1.49	1.30	1.30	1.00
100.25dt	3.85	2.29	2.10	2.10	1.00
150.25dt	5.00	3.44	3.25	3.25	1.00



#### Angle Bracket



#### Product Features

- Low profile design
- 100TPI adjustment
- Non-influencing lock
- UV and vacuum compatible versions available upon request

#### Performance Specifications

Maximum horizontal axis load	5 lbs
Maximum vertical axis load	2 lbs
Travel	0.25 inch (6 mm)
Minimum controllable motion	5 $\mu$ m, typical

#### Related Products

RTC-0.5 rotation clamp	132
RTC rotation clamp adapters	132

#### Order Information

1.3"x1.3" dovetail stage, 0.25 travel	50.25dt
2.1"x2.1" dovetail stage, 0.25 travel	100.25dt
3.25"x3.25" dovetail stage, 0.25 travel	150.25dt
angle bracket for 50.xx size	50ab
angle bracket for 100.xx size	100ab
angle bracket for 150.xx size	150ab

**Metric Option** — for metric assembly features on this product, add '-M' after model number.

The 50.25dt, 100.25dt and 150.25dt are the thinnest line of dovetail stages on the market. Their design is simple but effective for set-it-and-forget-it applications. The 100TPI thread ensures the smallest minimum controllable motion in a dovetail stage and the non-influencing foil lock virtually guarantees that the first adjustment is the last one. The foil lock can be mounted to matching holes on the opposite side of the stage for maximum access flexibility.

To maximize the available footprint area for the device being mounted, Siskiyou offers this series in three sizes. With each size there are orthogonal mounting holes to create low profile XY assemblies. There are also specific angle brackets for each model so you can create XZ, YZ or XYZ stage configurations.