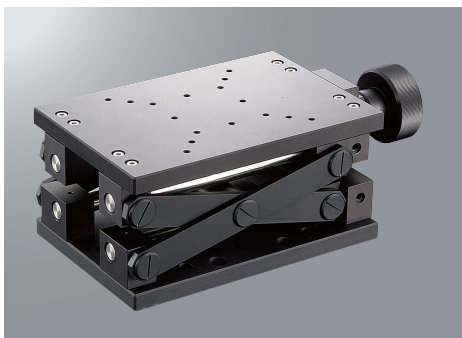
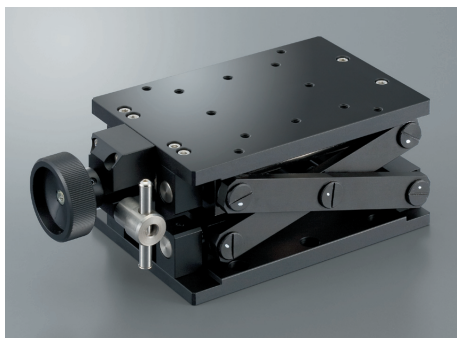


# Laboratory Jack: B35 (120×180/80×120)

B35



B35-N



**SURUGA SEIKI**

CAD  
3D·2D

- Optimal control system for heavy weight.
- 3mm per handle rotation
- Can be fixed strongly by a clamp.

Lab Jack

X

XY

Z

Horizontal Z

XZ

Horizontal XZ

XYZ

Horizontal XYZ

Goniometer

Rotary

Unit

Accessories

Linear Ball

Cross Roller

Dovetail

25

30

40

50

60

70

80

100

120

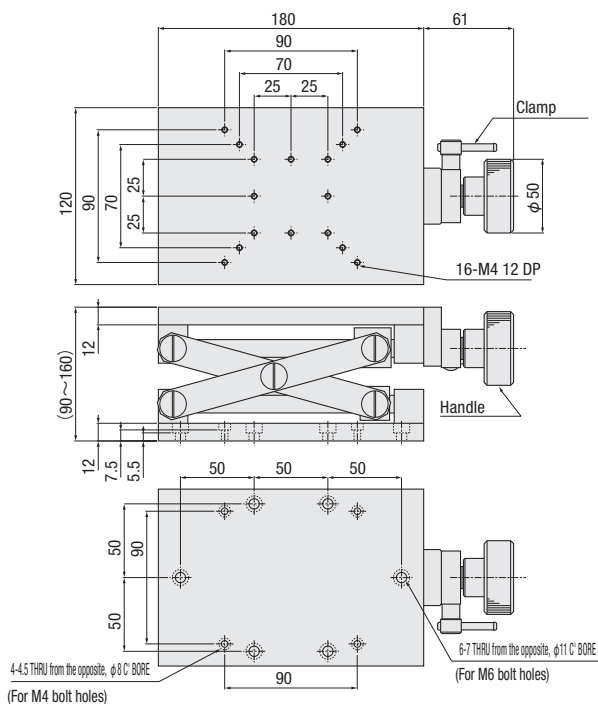
Other

2

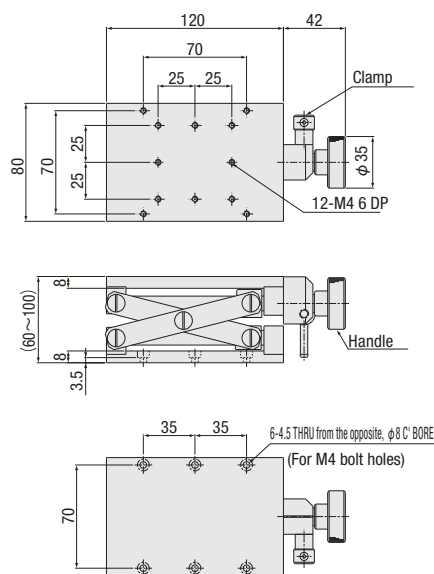
094

## Dimensional outline drawings

B35



B35-N



SPEC		
Model	B35	B35-N
Stage table size	120×180mm	80×120mm
Travel distance	70mm	40mm
Travel distance per rotation of knob	3mm	2mm
Load capacity	10.0kgf [98N]	7.0kgf [68.6N]
Parallelism	200μm	200μm
Weight	3.5kg	1.25kg
Main material—Surface finishing	Aluminum—Black alumite processing	
Provided screws (Hex socket screws)	4 of M4—12, 4 of M6—12	4 of M4—10