

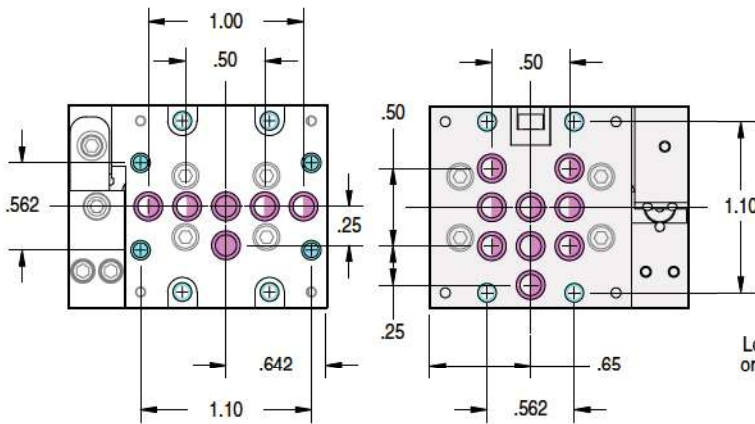
# Translation Stages

## Linear Manual, Top Adjust

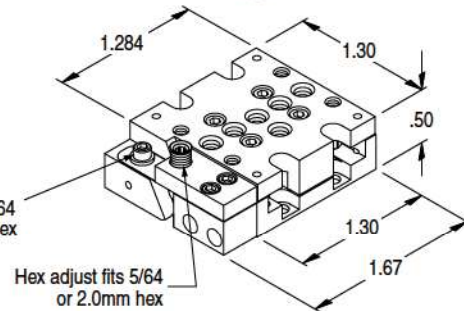
## Crossed Roller Stages

### 2mm Travel / 50.5cr-T

□ Top Plate ■ Bottom Plate Mounting Holes: 8-32 (M4), ∇ 0.25 ● 0.15 ○ / 4-40 (M2.5), ∇ 0.15 ● Clearance ○  
 Note that dimensions in parentheses (mm) reflect metric assembly features.

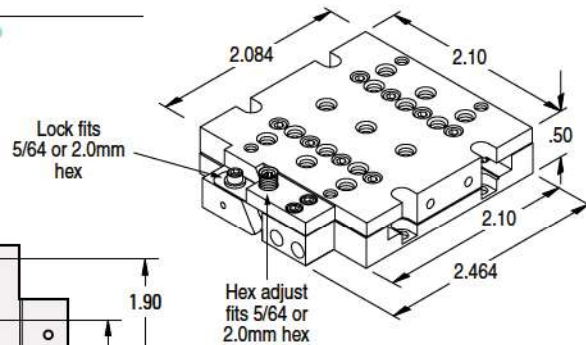
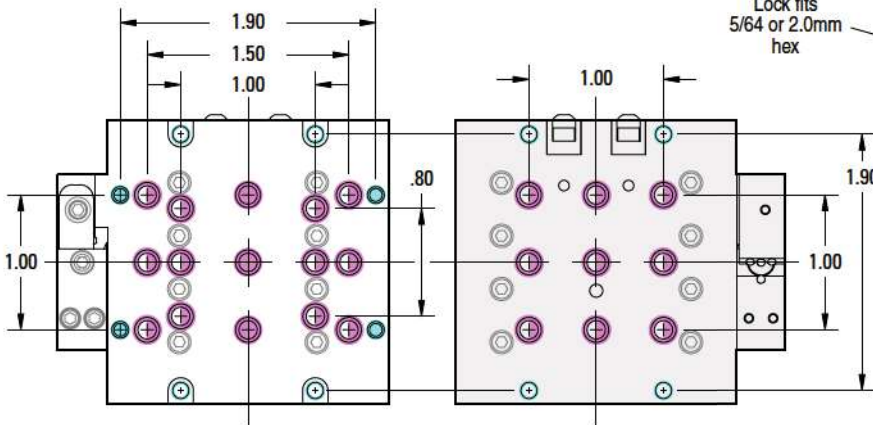


50.5cr-T



### 2mm Travel / 100.5cr-T

□ Top Plate ■ Bottom Plate Mounting Holes: 8-32 (M4), ∇ 0.25 ● 0.15 ○ / 4-40 (M2.5), ∇ 0.15 ● Clearance ○  
 Note that dimensions in parentheses (mm) reflect metric assembly features.



The 50.5cr-T and 100.5cr-T bring top adjust capability to the thinnest line of crossed roller translation stages available. With a 100 pitch screw bearing upon a 60° angle block (pat. pending), the effective thread pitch is 170, giving you the most precise adjustment available from a non-differential adjuster. Perfect for tight spaces, many components can be mounted to the top adjust stages to help you get many degrees-of-freedom in a small volume. Both sizes can be stacked to create XY versions. XYZ is available by adding an angle bracket and using an end drive cr-series stage; all three axes are then top adjustable. Each axis has a non-influencing foil lock which virtually guarantees that the first adjustment is the last one. The foil locks are accessible from the top. The same wrench drives the stage and actuates the foil locks. Angle brackets are purchased separately. See page 38 for Model numbers and dimensions.

#### Product Features

- Low profile design
- Non-influencing lock
- High load crossed roller bearings
- Vacuum compatible versions available

#### Performance Specifications

Maximum horizontal axis load	
50.5cr-T series	3 lbs
100.5cr-T series	7 lbs
Travel range	
50.5cr-T series	0.078 inch (2 mm)
100.5cr-T series	0.078 inch (2 mm)
Resolution	
100TPI adjustment screw	submicron, 150µm/revolution

#### Related Products

50ab and 100ab, angle brackets	38
--------------------------------	----

#### Order Information

1.3" top adjust stage, 2mm travel	50.5cr-T
2.1" top adjust stage, 2mm travel	100.5cr-T

**Metric Option** — for metric assembly features on this product, add '-M' after model number.

