

Translation Stages

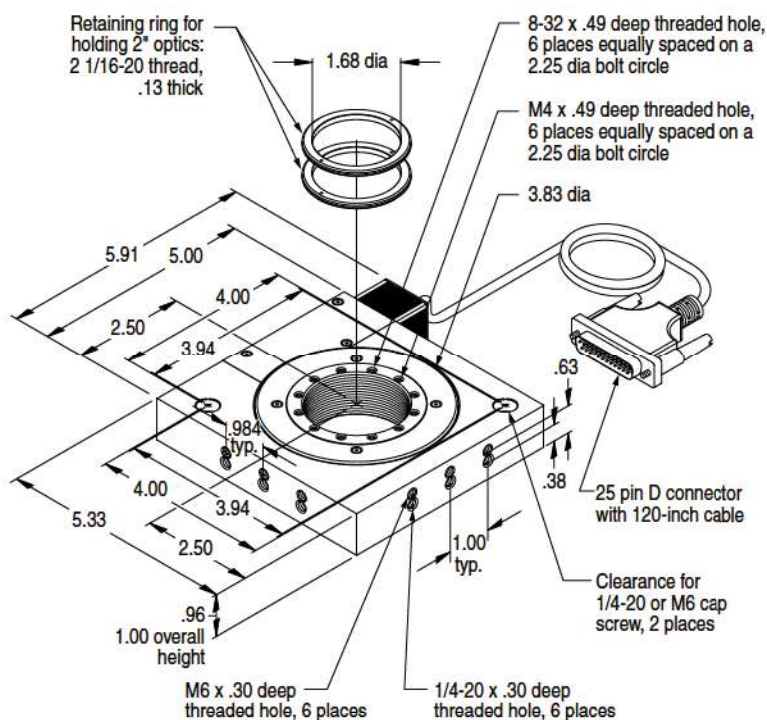
Rotary Motorized

Ball Bearing

CE Certified



2.0-inch / RSA-2.0i



RSA-2.0i

CE

Motorized Rotation Stage

The compact size and high performance of our RSA-2.0i motorized rotation stage make it ideal for motorized rotation applications in the laboratory as well as OEM systems. By employing our standard DC servo motor, the overall thickness of the base is minimized to 1.0-inch [25-mm].

Standard mounting features include both 1/4-20 and M6 tapped holes on two edges for post or AS spacer mounting with the axis of rotation horizontal. Additionally, universal slots (U.S. system and metric spread) are included for attachment directly to a isolation table or platform with the axis of rotation vertical. The 2.0-inch inner diameter of the rotating dial accepts common 2.0-inch and 50-mm optics and is supplied with two Delrin® retaining rings. The dial has twelve tapped holes (6 each 8-32 and M4) on the face to attach other optical or mechanical elements.

Product Features

- Quiet running DC servo motor
- Positive worm gear drive
- Flexible mounting features
- UV and Vacuum compatible versions available upon request

Performance Specifications

Maximum load	
when axis of rotation is vertical	12 lbs
when axis of rotation is horizontal	4 lbs
Travel	360° continuous
Unidirectional repeatability	10 arc seconds
Backlash	120 arc seconds
Minimum controllable motion	10 arc seconds
Runout / wobble	300 arc seconds
Encoder counts per revolution	6,994,345
Maximum speed	3 rpm

Related Products

MC1000e series motion controllers	beginning 22
MC2010 computer interface	27
manual version	72

Order Information

motorized rotation stage, 2.0" aperture	RSA-2.0i
---	----------