

# Translation Stages

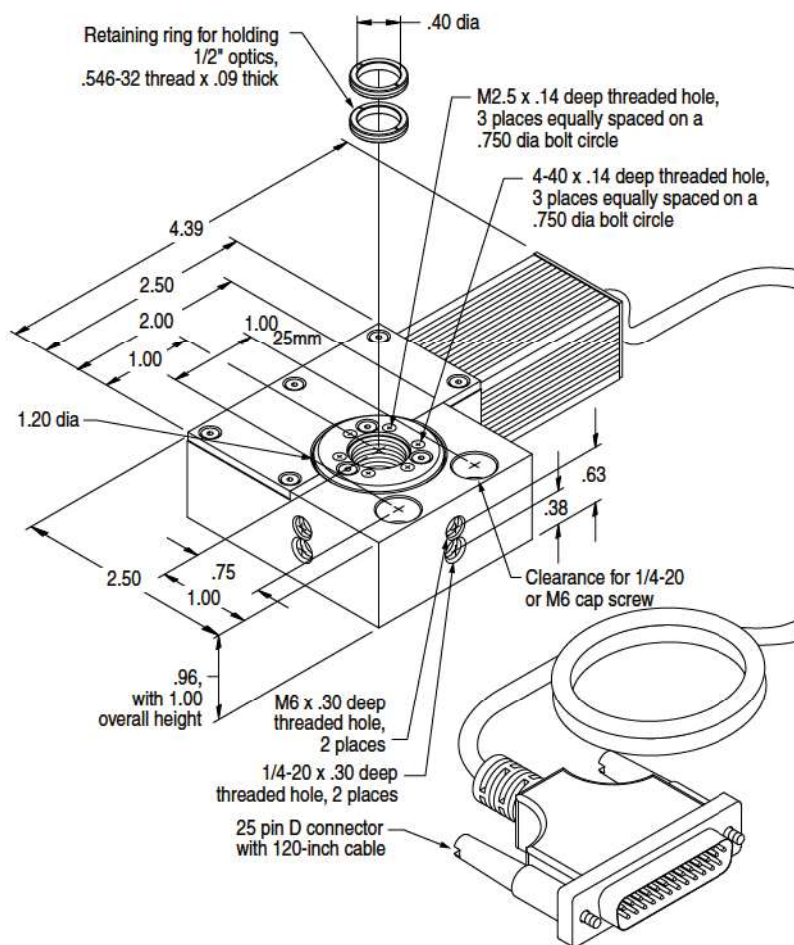
Rotary Motorized

Ball Bearing

CE Certified



0.5-inch / RSA-0.5i



RSA-0.5i

CE

## Motorized Rotary Stage

The compact size and high performance of our RSA-5.0i motorized rotation stage make it ideal for motorized rotation applications in the laboratory as well as OEM systems. By employing our standard encoded DC servo motor, the overall thickness of the base is minimized to 1.0-inch [25-mm].

Standard mounting features include both 1/4-20 and M6 tapped holes on two edges for post or AS spacer mounting with the axis of rotation horizontal. Additionally, universal counterbores to fit imperial or metric spreads are included for attachment directly to a isolation table or platform with the axis of rotation vertical. The 0.5-inch inner diameter of the rotating dial accepts common 0.5-inch and 12-mm optics and is supplied with two Delrin® retaining rings. The dial has six tapped holes (3 each 4-40 and M2.5) on the face to attach other optical or mechanical elements.

The RSA-0.5i's compact design and right angle drive are ideal for close coupled optic stacking.

### Product Features

- Compact size
- Quiet running DC servo motor
- Universal mounting
- Vacuum compatible and UV versions available upon request

### Performance Specifications

Maximum load	
when axis of rotation is vertical	2 lbs
when axis of rotation is horizontal	0.5 lbs
Travel	360° continuous
Unidirectional repeatability	6 arc seconds
Backlash	100 arc seconds
Minimum controllable motion	6 arc seconds
Runout / wobble	530 arc seconds
Encoder counts per revolution	2,137,184
Maximum speed	10 rpm

### Related Products

MC1000e series motion controllers	beginning 22
MC2010 computer interface	27
RTC-A1, -A2, -A3 & -A4 adapters	132
manual version	71

### Order Information

rotary stage, 0.5 inch, motorized	RSA-0.5i
-----------------------------------	----------