

X Axis Long Travel Leadscrew Translation Stages

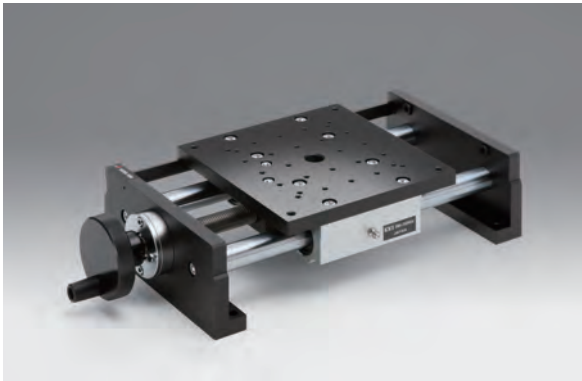
Stage Size 160 × 160 mm Platform

LST

RoHS

Long travel, high precision, leadscrew stages for X-axis adjustment.

- Linear bearings are used for the positioning slide, and the leadscrew is either 2mm pitch (LST-16100/16200) or 5mm pitch (LST-16400).
- Suitable for relatively less frequent operations that require long travel.
- Convenient crank style handle for adjustment.
- Tapped holes on the table top allow use in combination with other fine drive stages.



Guide

- To use the LST series in XY configuration, contact Sales Division.

Application Systems

Optics & Optical Coatings

Opto-Mechanics

Bases

Manual Stages

Actuators & Adjusters

Motorized Stages

Light Sources & Laser Safety

Index

Guide

X Axis Stages

XY Axis Stages

Z Axis Stages

XZ Axis Stages

XYZ Axis Stages

Rotation Stages

Goniometer

Tilt Stages

Vacuum

Ball Bearing Guide

Crossed Roller

Dovetail

Lapping

V Groove Screw

Others

15 × 15 mm

25 × 25 mm

40 × 40 mm

60 × 60 mm

65 × 65 mm

80 × 80 mm

100 × 100 mm

120 × 120 mm

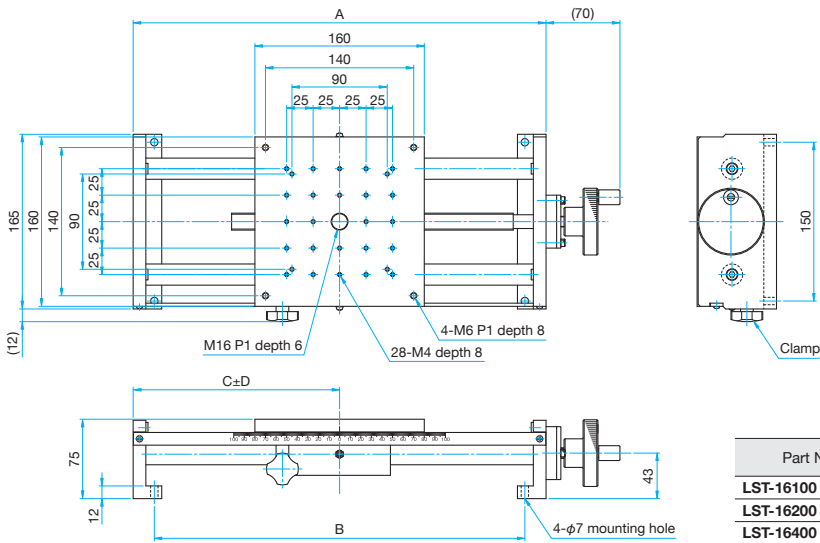
Others

Specifications							
Part Number	METRIC	LST-16100	LST-16100-M6	LST-16200	LST-16200-M6	LST-16400	LST-16400-M6
	INCH	—	LST-16100UU	—	LST-16200UU	—	LST-16400UU
Stage Size [mm]		160×160	160×160	160×160	160×160	160×160	160×160
Axes of Travel		X axis					
Travel [mm]		±50	±50	±100	±100	±200	±200
Screw Pitch [mm]		2	2	2	2	5	5
Guide Method		Linear bearing					
Primary Material		Aluminum					
Finish		Black anodized					
Load Capacity [N]		98 (10.0kgf)	98 (10.0kgf)	98 (10.0kgf)	98 (10.0kgf)	98 (10.0kgf)	98 (10.0kgf)
Travel Accuracy	Straightness [μm]	10	10	10	10	20	20
	Pitch [N·m]	7.8	7.8	7.8	7.8	7.8	7.8
Max. Moment Capacity	Roll [N·m]	5.8	5.8	5.8	5.8	5.8	5.8
	Pitch ["/N·cm]	0.25	0.25	0.25	0.25	0.25	0.25
Moment Stiffness	Roll ["/N·cm]	0.5	0.5	0.5	0.5	0.5	0.5
	Parallelism [μm]	100	100	150	150	200	200
Weight [kg]		4.8	4.8	5.5	5.5	7.0	7.0



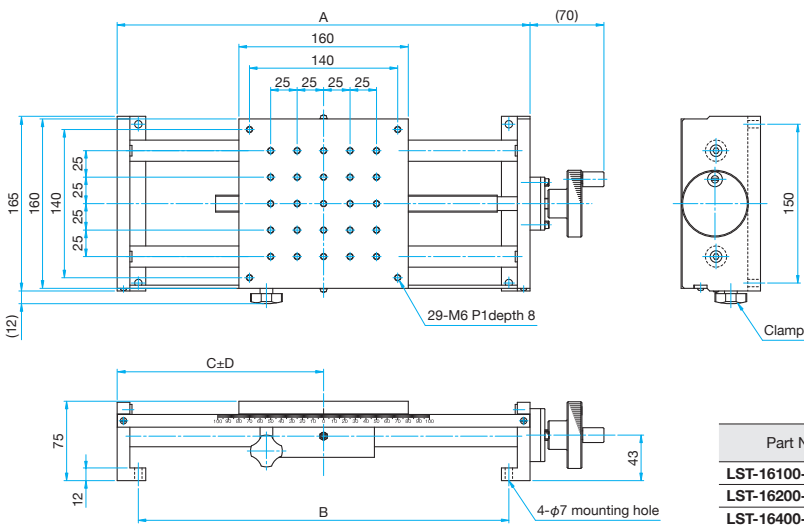
Outline Drawing

LST-16100/16200/16400 Hexagonal socket head cap screw M6×22...4 screws, Spring washers, Flat washers



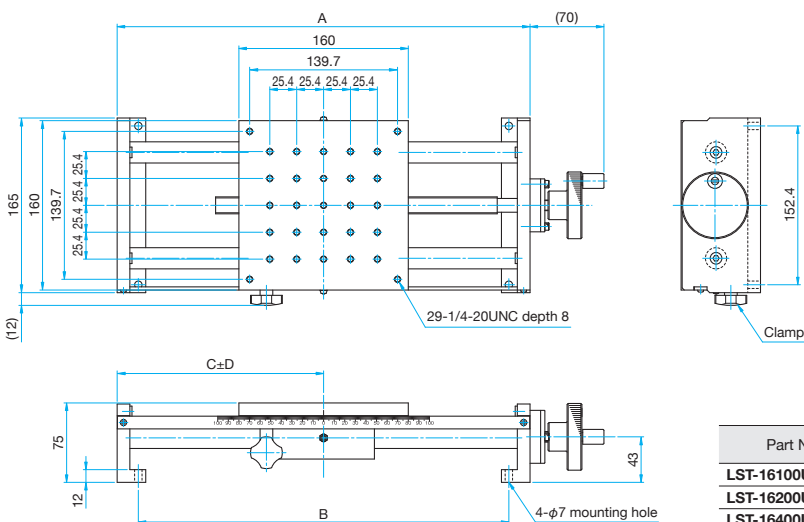
Part Number	A (mm)	B (mm)	C (mm)	D (mm)
LST-16100	290	250	145	50
LST-16200	390	350	195	100
LST-16400	590	550	295	200

LST-16100-M6/16200-M6/16400-M6 Hexagonal socket head cap screw M6×22...4 screws, Spring washers, Flat washers



Part Number	A (mm)	B (mm)	C (mm)	D (mm)
LST-16100-M6	290	250	145	50
LST-16200-M6	390	350	195	100
LST-16400-M6	590	550	295	200

LST-16100UU/16200UU/16400UU Hexagonal socket head cap screw 1/4-20UNC×7/8...4 screws, Spring washers, Flat washers



Part Number	A (mm)	B (mm)	C (mm)	D (mm)
LST-16100UU	290	254	145	50
LST-16200UU	390	355.6	195	100
LST-16400UU	590	558.8	295	200

Application Systems

Optics & Optical Coatings

Opto-Mechanics

Bases

Manual Stages

Actuators & Adjusters

MotORIZED Stages

Light Sources & Laser Safety

Index

Guide

X Axis Stages

XY Axis Stages

Z Axis Stages

XZ Axis Stages

XYZ Axis Stages

Rotation Stages

Goniometer

Tilt Stages

Vacuum

Ball Bearing Guide

Crossed Roller

Dovetail

Lapping

V Groove Screw

Others

15 × 15 mm

25 × 25 mm

40 × 40 mm

60 × 60 mm

65 × 65 mm

80 × 80 mm

100 × 100 mm

120 × 120 mm

Others