

MicroMech™ Linear Stages

Optics

Lenses

Mirrors & Beamsplitters

Prisms & Polarizers

Filters

Pinholes

- **Micrometer resolution**
- **Rigid design superior to dovetail or side rod designs**
- **Compact 35 x 30 mm dimensions**
- **Low profile 10 mm thickness**
- **Pre-loaded precision ball bearing slides**
- **Stackable for multi-axis positioning**
- **6.5 mm travel with no top plate**



Opto-mechanics

Breadboards & Rails

Mounting Hardware

Mirror & Component Mounts

Manual Micro Positioners

Motorized Positioners

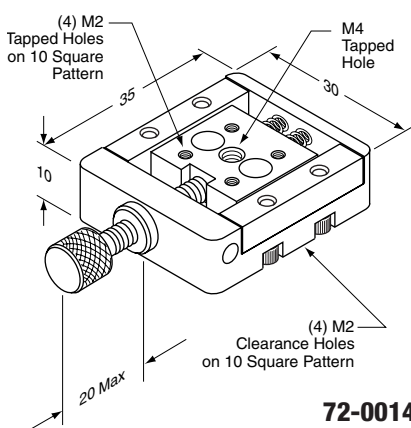
MicroMech™ Linear Stages are supplied fitted with either a high resolution thumbscrew or a 6.5 mm travel precision metric micrometer with a calibrated scale.

These Stages are light weight, accurate and compact making them ideal for use where space is restricted. Load carrying capacity is excellent for the stage size due to the use of hardened steel precision pre-loaded ball bearing slides. These slides are superior to dovetail or pre-loaded side rod designs used on many stages of comparable size and provide an extremely rigid, slop-free platform to mount on. If motorization is required the micrometer or thumbscrew can be replaced with

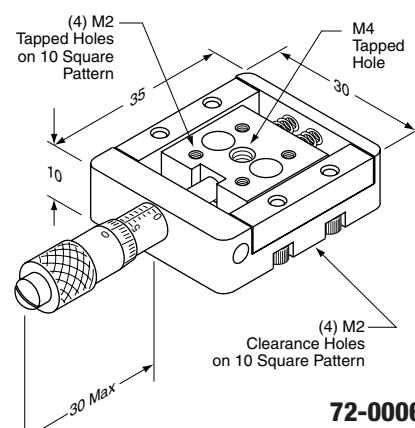
either a MotorDriver™ for remote control and 0.1 μm resolution, or an EncoderDriver™ for full motorized position control from a computer with 0.05 μm resolution.

The MicroMech range is designed around an M2 thread size on a 10 mm square hole pattern. The stages on this

page are offered without a top plate and are intended for use in stacked assemblies and OEM applications where minimum stage thickness is required. These stages have a useful central M4 tapped hole which is compatible with our new range of component mounts and Precise™ mirror mounts.



72-0014
MicroMech™ Linear Stage with Thumbscrew Actuator



72-0006
MicroMech™ Linear Stage with Micrometer Actuator

Specifications

Travel Range: 6.5 mm

Resolution -

Thumbscrew Actuator: 1.0 μm

Micrometer Actuator: 1.0 μm

MotorDriver Actuator: 0.1 μm

EncoderDriver Actuator: 0.05 μm

Reading Accuracy: 1 division = 10 μm (micrometer version only)

Load Capacity -

Horizontal: 3 kg (6.5 lb)

Vertical: 0.5 kg (1 lb)

(1 kg with drive downwards)

MicroMech™ Linear Stages

Catalog Number	Description	Price US
72-0014	MicroMech Linear Stage 6.5 mm Travel with Thumbscrew Actuator (no top plate)	\$188.00
72-0006	MicroMech Linear Stage 6.5 mm Travel with Micrometer Actuator (no top plate)	\$230.00
37-0221	10 mm MotorDriver Actuator	\$616.35
37-0494	10 mm EncoderDriver Actuator Package	\$1,268.40