

XYZ Compact Translation Stage

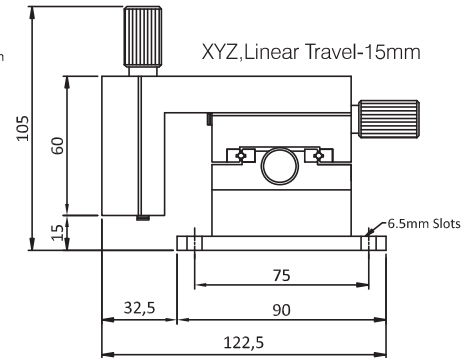
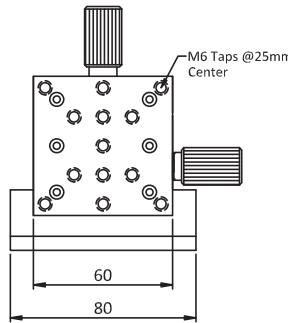
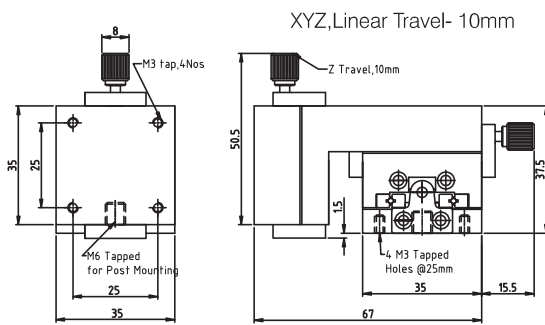
Three axes compact stages from holmarc are factory assembled in X,Y and Z directions to keep the footprint as minimum as possible. All the three axes have pre-loaded rolling contact guides for play less and friction free movement. Drive is by 80 tpi leadscrew. Top surface of the stage has M6 tapped holes for component mounting or assembly. A base plate with M6 counter bored slot is fixed to the bottom for convenient fixing of this stage to breadboards and tables.

- ▶ XYZ,Linear Travel- 10 & 15mm
- ▶ Drive : Leadscrew
- ▶ Resolution: 0.1mm
- ▶ Load Capacity: 2kg
- ▶ Straight Line Accuracy : 0,01mm
- ▶ M6/M3 Mounting Holes



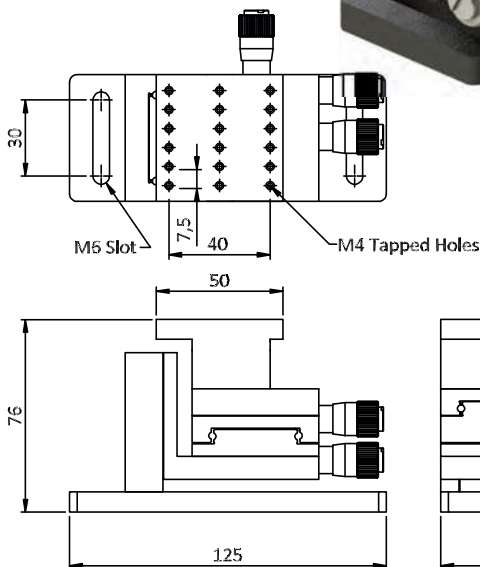
Model : XYZCTS 35-35

Model : XYZCTS 60-60

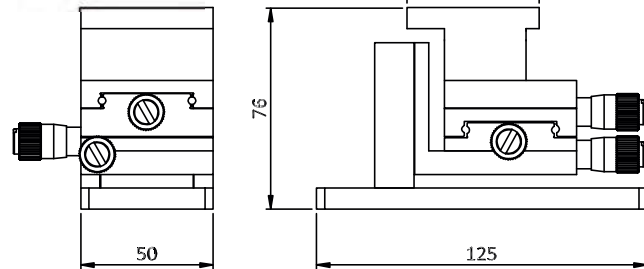
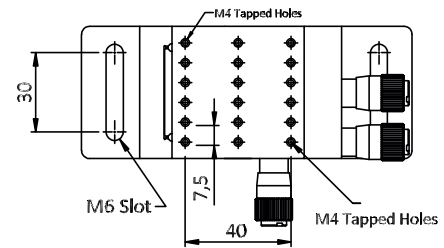


XYZ Positioner

- ▶ 76mm height
- ▶ X Travel 5mm
- ▶ Y Travel 5mm
- ▶ Z Travel 5mm
- ▶ Aluminium Alloy
- ▶ Black anodized finish



XYZ Positioner Right Side Drive



XYZ Positioner Left Side Drive

XYZ Positioner

Model No:	Drive	Orientation	Travel
CTS-3AR-M μ 10	Micrometer 10 μ	Right	5mm
CTS-3AL-M μ 10	Micrometer 10 μ	Left	5mm