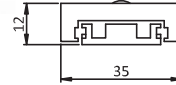
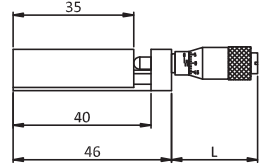
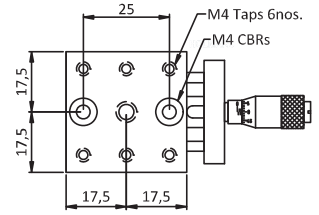


TS-35 Translation Stage

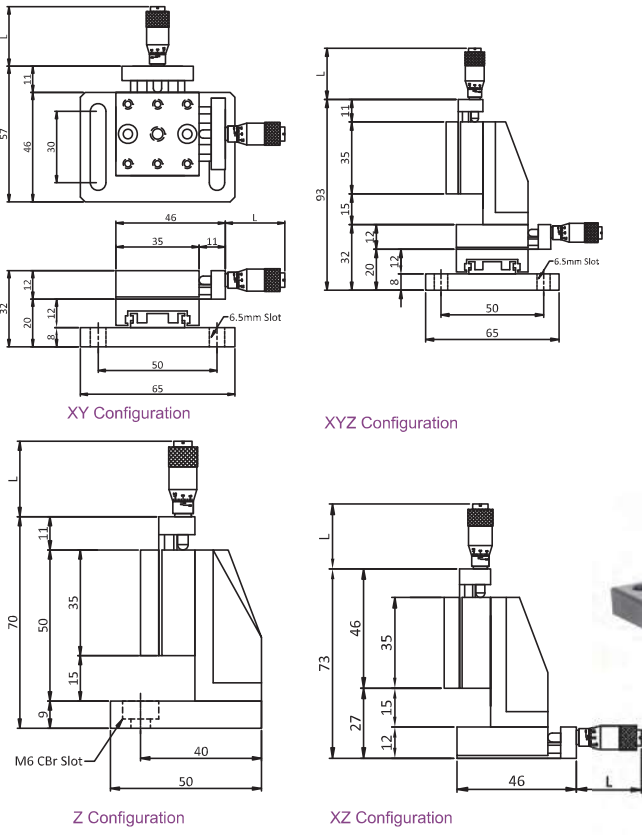
Travel: 6mm
 Carriage Size : 35mmx35mm
 Load Capacity :3kg vertical on X axis
 Drive: Option-1) Micrometer
 Option-2) Hexagonal Socket Lead screw



Specifications

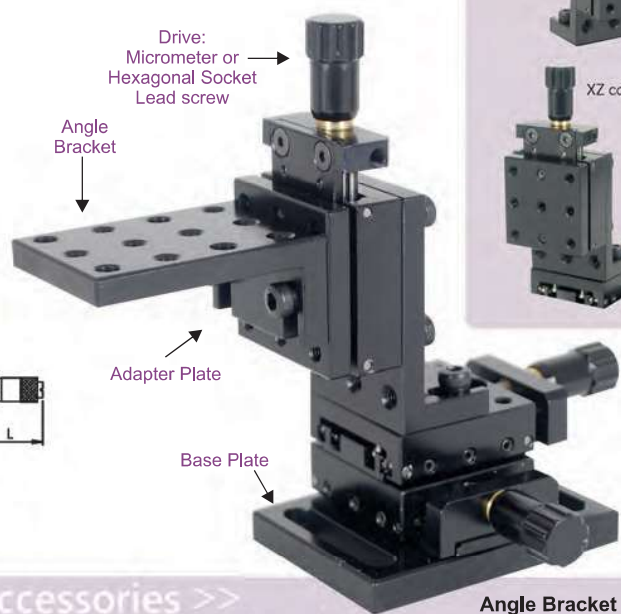
- ▶ Straight Line Accuracy: 5µm
- ▶ Micrometer Linear Resolution: 10 µm
- ▶ Lead Screw Linear Resolution : 0.25mm/ Rotation
- ▶ Guide way: Precision Ball Bearing Guide Way
- ▶ Construction: Aluminum Alloy B51S
- ▶ Finish: Black Anodized
- ▶ Mounting Holes : M4 Tapped Holes on Carriage
: M6 Tapped Hole on Top and Bottom
: M4 CBR Hole for Mount the Stage to Base Plate
- ▶ Mounting Options: Post Mountable by Using M6 Thread
: Breadboard Mounting by Using Base Plate
- ▶ Design: Modular Design for Multi Axis Configurations

Configuration	Load Capacity (kg)
X	3
XY	3
XYZ	0.5
Z	0.5
XZ	0.5



Allen key socket lead screw drive
 Length: L- 6mm
 Linear resolution: 0.3 mm/rotation
 Allen key socket dim : 3mm

Micrometer
 Length: L- 6mm
 Linear resolution: 0.01 mm/Div
 Lead screw pitch : 0.5mm



Model No: Allen Key Socket Lead Screw Drive	Model No: Micrometer Drive	Configuration
TS35-AK-01	TS35-Mu10-01	X Axis
TS35-AK-02	TS35-Mu10-02	XY Axis
TS35-AK-03	TS35-Mu10-03	XYZ Axis
TS35-AK-04	TS35-Mu10-04	Z Axis
TS35-AK-05	TS35-Mu10-05	XZ Axis

Accessories >>

- Base Plate**
BPTS-35
- Adapter Plate**
APTS-35
- Angle Bracket**
ABTS-35
- Z Axis Angle Bracket with Base Plate**
ABZTS-35

002