

860-0102

XZ MICRO TRANSLATION STAGE OF SIDE REGULATION



860-0102



860-0102-02; 860-0102 with mini micrometer 870-0055-02 installed

- Ultra Compact configuration
- Precise rectilinear movement
- 4 mm X-Z or X-Y travel range
- Precision ball bearings
- Fine Screws pitch 0.25 mm (100 threads per Inch)

SPECIFICATIONS

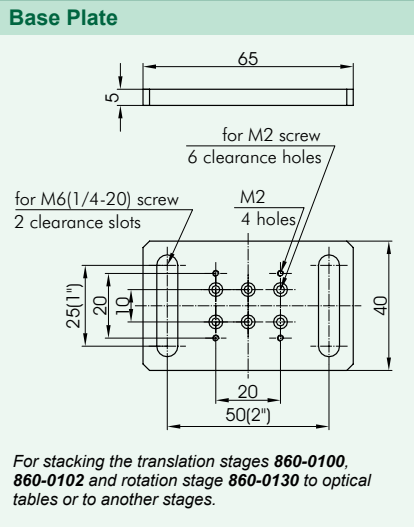
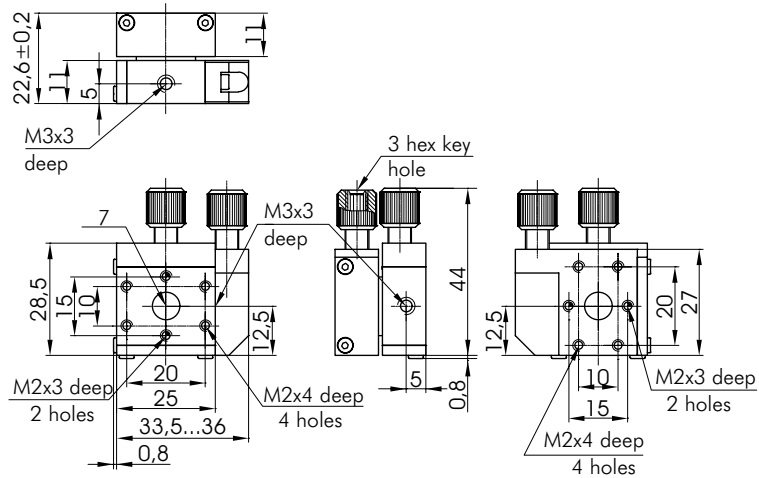
| | |
|-------------------|--------|
| Travel range | 4 mm |
| Sensitivity | 1 μm |
| Tracking accuracy | 2 μm |
| Load capacity: | |
| horizontal | 0.3 kg |
| vertical | 0.1 kg |

XZ Micro Translation Stage 860-0102 provides smooth, precise two axes movement. The driving screws are positioned so that the unit is controlled only from one side. That's why 860-0102 is very handy in optical schemes with very dense placement of instruments.

The travel of the stage is 4 mm with 5 μm sensitivity. M2 tapped holes are provided for components mouting. The unit has a Ø7 mm clear aperture. So it is ideally suited for use as a holder of diaphragms.

Angle bracket 810-0120 may be used to combine the stage with other units.

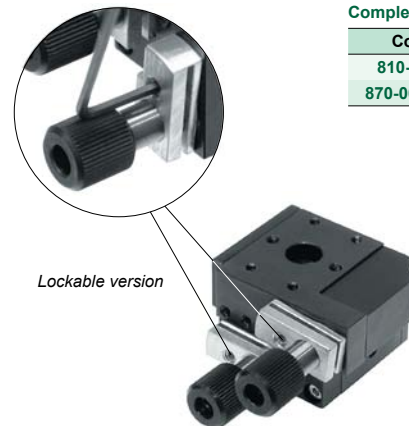
The base and the platform are made of black anodized aluminium.



| Code | Description | Weight, kg | Price, EUR |
|-------------|--|------------|------------|
| 860-0102 | standard version | 0.06 | 220 |
| 860-0102L | lockable version | 0.06 | 235 |
| 860-0102-04 | with mini micrometer 870-0055-04 installed | 0.08 | 290 |

Complementary Products

| Code | Page |
|-------------|-------|
| 810-0120 | 8.26 |
| 870-0055-02 | 8.141 |



Lockable version

OPTICAL TABLES

BRACKETS & RAILS

BASE MOUNTS & ACCESSORIES

OPTICAL MOUNTS

OPTICAL POSITIONERS

BASE POSITIONERS

TRANSLATION & ROTATION STAGES

ADJUSTMENT SCREWS

MOTORIZED POSITIONERS