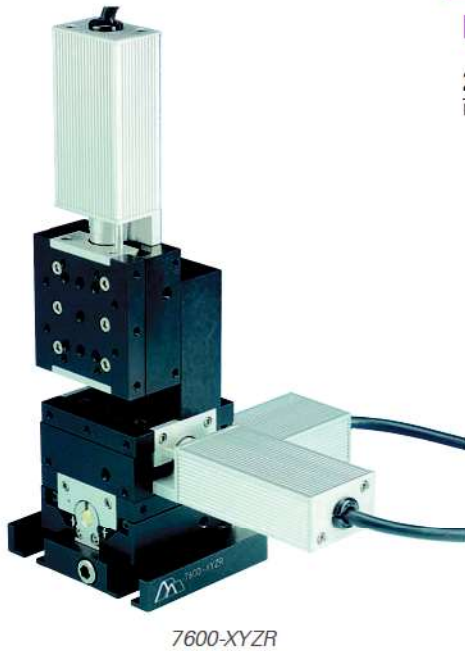
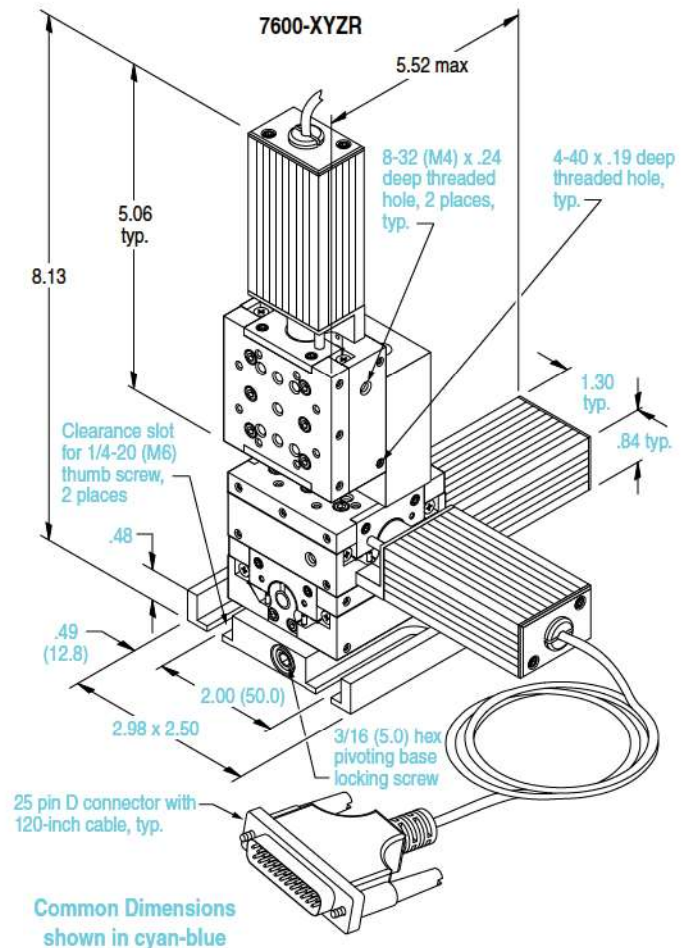


20mm XYZ Travel / 7600 Series

Note that dimensions in parentheses (mm) reflect metric assembly features



7600-XYZR



Product Features

- 1.7 mm/second rapid positioning
- Quiet running DC servo motors
- Rotatable mounting base
- Vacuum compatible versions available upon request

Performance Specifications

Maximum horizontal axis load	10 lbs
Maximum vertical axis load	4 lbs
Travel	20 mm
Backlash	≤ 5 μm
Point to point accuracy	± 2 μm

Related Products

model <i>e</i> motion controllers	beginning 22
MC2010 computer interface	27
DR1000 digital readout	31
manual version	50
MX-RS rotation base	122

Order Information

crossed roller single-axis stage, closed loop	7600-X
crossed roller 2-axis stage, closed loop	7600-XY
crossed roller vertical stage, closed loop	7600-Z
crossed roller 3-axis stage, closed loop, rh	7600-XYZR
crossed roller 3-axis stage, closed loop, lh	7600-XYZL

Metric Option — for metric assembly features on this product, add 'M' after model number.

Motorized XYZ Stages

The 7600 motorized crossed roller bearing translation stage offers exceptionally smooth linear travel. 7600 stages are an integrated version of our 1600 series crossed roller translation stage. They use a precision preloaded lead screw to ensure drift-free operation. High-speed versions available upon request.

Our *e* series and MC2010 controllers drive the stage through a closed loop interface between the controller and the motor encoder. The closed loop connection ensures 0.2 μm and 0.1 μm resolution, respectively. The encoder coupling also enables the use of the DR1000 digital readout for repeated or relative positioning requirements.

7600 series stages come standard with our ABP-R mounting plate. The design of this mounting plate enables coarse positioning between platform mounting holes as well as 360° of coarse rotational positioning. If rotation with a solid submicron level stop is required, the MX-RS rotation stage is designed to mount directly into the ABP-R and has mounting holes for all 1600 series stages.