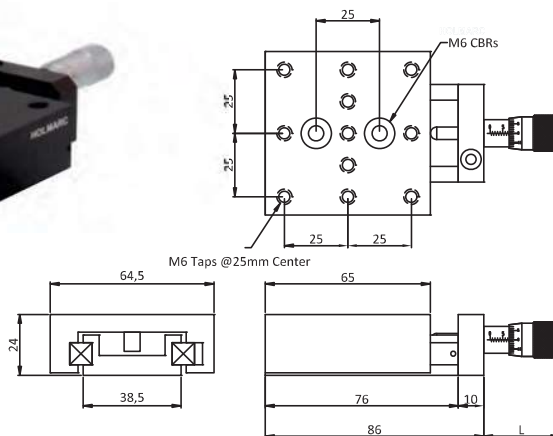


# TS-65 Translation Stage

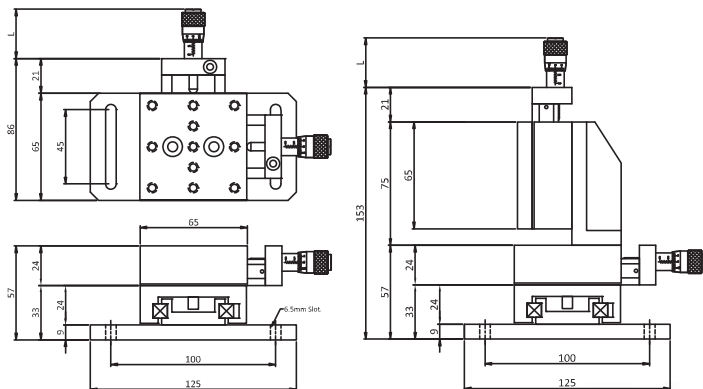
Travel: 15mm  
Carriage Size : 65mmx65mm  
Load Capacity: 20 kg vertical on X axis  
Drive: Micrometer/ digital micrometer



## Specifications

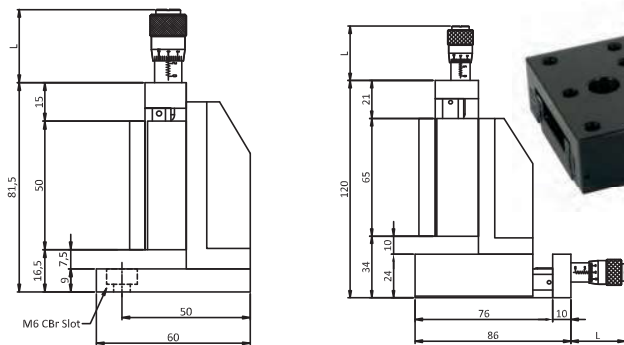
- ▶ Straight Line Accuracy: 7.5µm
- ▶ Micrometer Linear Resolution: 10 µm
- ▶ Guide way: Precision Ball Bearing Guide Way
- ▶ Construction: Aluminum Alloy B51S
- ▶ Finish: Black Anodized
- ▶ Mounting Holes : M6 Tapped Holes on Carriage  
: M6 CBR Hole for Mount the Stage to Base Plate or breadboard
- ▶ Mounting Options: Directly Mount to Breadboard by Using M6 Screws  
: Breadboard Mounting by Using Base Plate
- ▶ Design: Modular Design for Multi Axis Configurations

Configuration	Load Capacity (kg)
X	20
XY	20
XYZ	6
Z	6
XZ	6



XY Configuration

XYZ Configuration



Z Configuration

XZ Configuration

Drive:  
Micrometer Or  
Lead screw


Digital Micrometer




### Accessories >>

 <b>Base Plate</b> BPTS-65	 <b>Adapter Plate</b> APTS-65	 <b>Angle Bracket</b> ABTS-65
		 <b>Z Axis Angle Bracket with Base Plate</b> ABZTS-65

Model No: Micrometer Drive	Model No: Digital Micrometer Drive	Configuration	Base Plate	Qty	Adapter Plate	Qty	Angle Bracket	Qty	Z Axis Angle Bracket With Base Plate	Qty
TS65-Mu10-01	TS65-DMu10-01	X Axis	✓	1						
TS65-Mu10-02	TS65-DMu10-02	XY Axis	✓	1						
TS65-Mu10-03	TS65-DMu10-03	XYZ Axis	✓	1	✓	1	✓	2		
TS65-Mu10-04	TS65-DMu10-04	Z Axis	✓	1	✓	1	✓	1	✓	1
TS65-Mu10-05	TS65-DMu10-05	XZ Axis	✓	1	✓	1	✓	1		

 **Micrometer**  
Length: L - 42.5 +/- 7.5  
Lead resolution: 0.3 mm/rotation  
Lead screw pitch : 80Tpi

 **Digital Micro Meter**  
Length: L- 108  
Linear resolution: 0.01 mm